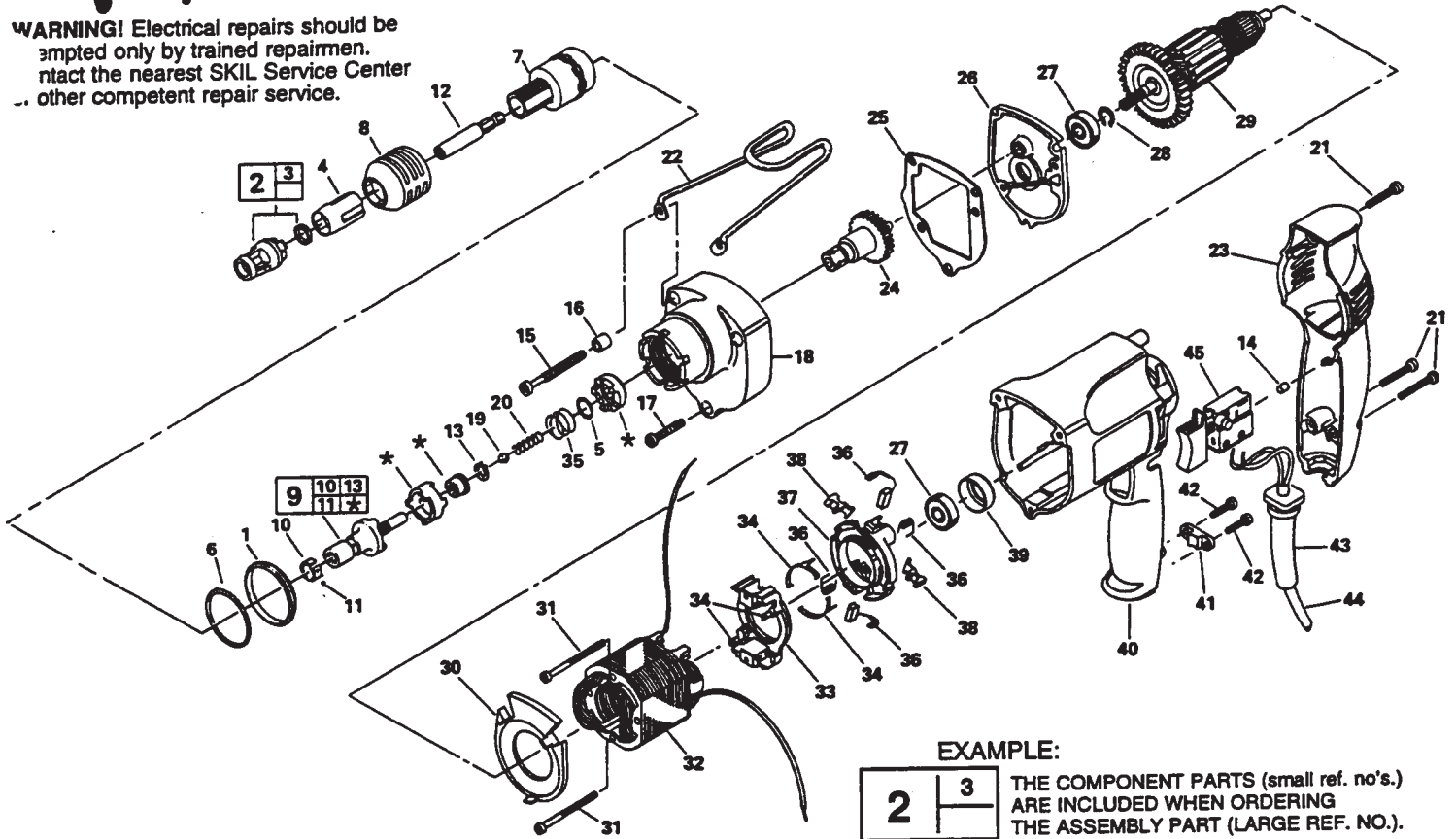
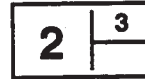


SKIL MODEL HD6908 TYPE 1 DRYWALL DRIVER

WARNING! Electrical repairs should be attempted only by trained repairmen. Contact the nearest SKIL Service Center or other competent repair service.



EXAMPLE:



THE COMPONENT PARTS (small ref. no's.) ARE INCLUDED WHEN ORDERING THE ASSEMBLY PART (LARGE REF. NO.).

REF. NO.	PART NO.	PART NAME	REF. NO.	PART NO.	PART NAME
1	3 600 113 506	INSULATING SLEEVE	25	348570	GASKET
2	3 600 552 505	DEPTH GAUGE ASSEMBLY	26	350765	BEARING PLATE ASSY.
3	3 600 290 502	SEAL	27	351861	BALL BEARING
4	3 600 360 505	ADJUSTING SLEEVE	28	18632	RETAINING RING
5	3 600 200 516	SPRING RETAINER	29	350782	ARMATURE ASSEMBLY
6	3 600 210 506	O-RING	30	348586	BAFFLE
7	904940	CLUTCH HOUSING	31	348628	SCREW
8	3 600 390 502	LOCKING RING	32	350354	FIELD ASSEMBLY
9	3 606 441 503	CLUTCH SHAFT KIT	33	348613	STATIONARY CONTACT CARRIER
10	3 600 034 504	BALL SLEEVE	34	350352	CONTACT SET
11	1 903 230 006	BALL	35	3 604 613 506	SPRING
12	3 603 008 500	BIT HOLDER	36	353931	BRUSH AND SPRING SET
13	3 600 118 502	RETAINING RING	37	348614	REV. SWITCH & BRUSH HOLDER
14	28780	RUBBER PLUG	38	358013	REVERSE LEVER
15	350943	SCREW (2)	39	326023	SLEEVE
16	350941	SPACER (2)	40	905362	MOTOR HOUSING
17	348621	SCREW	41	64973	CORD CLAMP
18	904725	GEAR HOUSING ASSY.	42	315386	SCREW
19	1 903 230 011	BALL	43	313327	STRAIN RELIEF
20	3 604 613 507	SPRING	44	350903	CORD AND PLUG SWITCH
21	348622	SCREW	45	348551	SWITCH
22	350939	HIP CLIP			
3	905360	HANDLE COVER			
:	904723	OUTPUT SHAFT ASSY.			

SPECIAL NOTES:

♦ CLUTCH HOUSING IS LEFT HAND THREAD INTO GEAR HOUSING