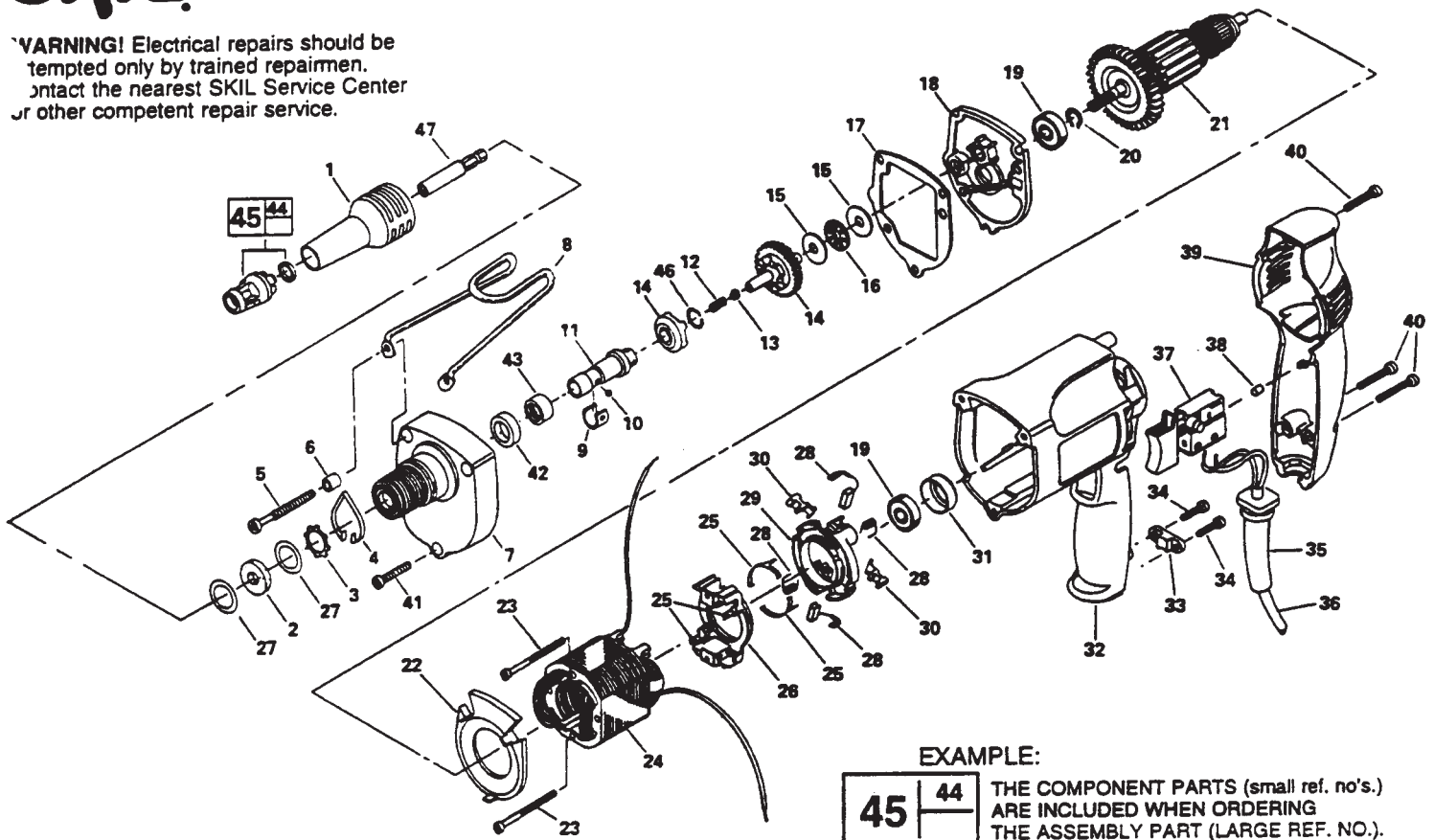


SKIL MODEL HD6902 TYPE 1 DRYWALL DRIVER

WARNING! Electrical repairs should be attempted only by trained repairmen. Contact the nearest SKIL Service Center or other competent repair service.



EXAMPLE:

45 — **44** THE COMPONENT PARTS (small ref. no's.) ARE INCLUDED WHEN ORDERING THE ASSEMBLY PART (LARGE REF. NO.).

REF. NO.	PART NO.	PART NAME	REF. NO.	PART NO.	PART NAME
1	904930	NOSE	24	350354	FIELD ASSY.
2	904939	SEAL	25	350352	CONTACT SET
3	904941	RETAINING RING	26	348613	STATIONARY CONTACT CARRIER
4	352893	SPRING	27	904938	WASHER
5	350943	SCREW (2)	28	353931	BRUSH & SPRING SET
6	350941	SPACER (2)	29	348614	REV. SWITCH & BRUSH HOLDER
7	905379	GEAR HOUSING ASSY.	30	358013	REVERSE LEVER
8	350939	HIP CLIP	31	326023	SLEEVE
9	355206	SPRING	32	905362	MOTOR HOUSING
10	2144	BALL	33	64973	CORD CLAMP
11	355210	CLUTCH SPINDLE	34	315386	SCREW
12	15241	SPRING	35	313327	STRAIN RELIEF
13	15236	BUTTON	36	350903	CORD AND PLUG
14	358010	OUTPUT SHAFT & CLUTCH JAW SET	37	348551	SWITCH
15	350776	WASHER	38	28780	RUBBER PLUG
16	350777	THRUST BEARING	39	905360	HANDLE COVER
17	348570	GASKET	40	348622	SCREW
18	350765	BEARING PLATE ASSY.	41	348621	SCREW
19	351861	BALL BEARING	42	350781	SEAL
20	18632	RETAINING RING	43	355209	NEEDLE BEARING
21	350782	ARMATURE ASSY.	44	3 600 290 502	SEAL RING
22	348586	BAFFLE	45	3 600 552 505	DEPTH GAUGE ASSEMBLY
23	348628	SCREW	46	350763	RETAINING RING
			47	3 603 008 500	BIT HOLDER

SPECIAL NOTES:

◆ INSTALL WITH SEAL TOWARD NOSE