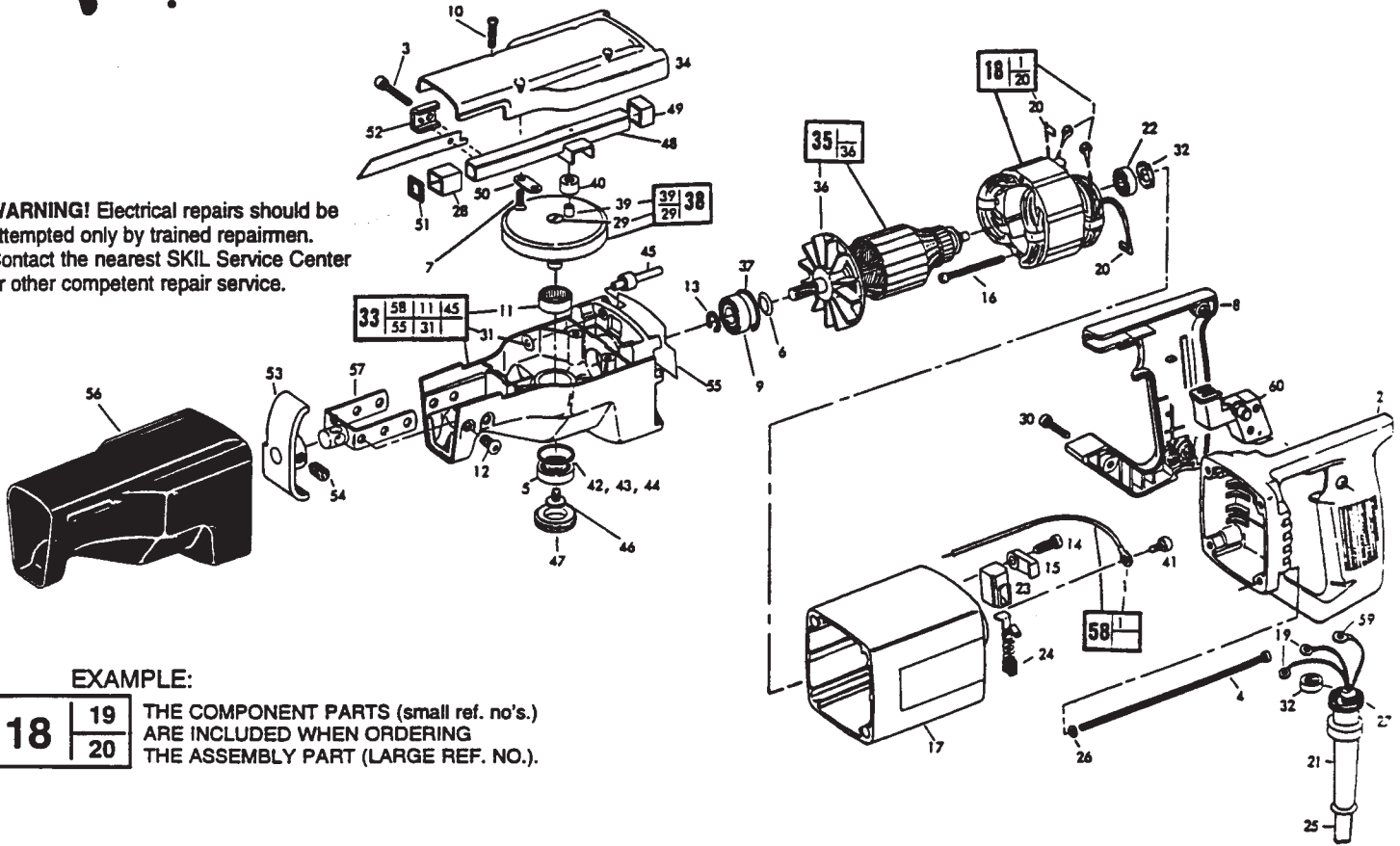


SKIL MODEL HD4740 TYPE 5 RECIPRO

WARNING! Electrical repairs should be attempted only by trained repairmen. Contact the nearest SKIL Service Center or other competent repair service.



EXAMPLE:

18	19	THE COMPONENT PARTS (small ref. no's.) ARE INCLUDED WHEN ORDERING THE ASSEMBLY PART (LARGE REF. NO.).
	20	

REF. NO.	PART NO.	PART NAME	REF. NO.	PART NO.	PART NAME	REF. NO.	PART NO.	PART NAME
1	63	TERMINAL (3)	21	68009	CORD GUARD	41	318489	GROUND SCREW
2	905403	HANDLE	22	67674	BALL BEARING	42	▲ 17978	SHIM (.004)
3	◆ 4075	SCREW	23	317060	BRUSH HOLDER (2)	43	▲ 17979	SHIM (.010)
4	4334	SCREW (4)	24	318347	BRUSH & SPRING (2)	44	▲ 17980	SHIM (.015)
5	6609	BALL BEARING	25	315850	CORD	45	316703	POST
6	11746	SPRING WASHER	26	67710	FLAT WASHER (4)	46	▼ 69866	SCREW
7	16475	SCREW (4)	27	306182	FLAT WASHER	47	▼ 69867	LOCK NUT
8	905402	HANDLE COVER	28	69875	FRONT BEARING	48	● 351865	RAM ASSEMBLY
9	20373	BALL BEARING	29	309766	SCREW	49	69876	REAR BEARING
10	21917	SCREW (4)	30	354822	SCREW (4)	50	69877	CLAMP (2)
11	24118	NEEDLE BEARING	31	68577	WASHER	51	■ 69878	SEAL
12	24542	SCREW (4)	32	374525	CORD CLAMP	52	351864	CLAMP
13	29988	RETAINING RING	33	316752	GEAR HOUSING ASSEMBLY	53	69880	FOOT ASSEMBLY
14	43010	SCREW (2)	34	316756	COVER	54	69884	SET SCREW
15	43944	BRUSH HOLDER RETAINER (2)	35	69855	ARMATURE	55	2 610 908 254	GREASE SEAL
16	67614	SCREW (2)	36	67607	FAN	56	351866	INSULATING SLEEVE
17	905406	MOTOR HOUSING	37	69856	RETAINING RING	57	70910	FOOT BRACKET ASSEMBLY
18	67624	FIELD	38	● 905495	GEAR ASSEMBLY	58	39693	LEAD ASSEMBLY
19	316570	TERMINAL	39	905496	PIN	59	318321	TERMINAL (GROUND)
20	68648	TERMINAL (2)	40	69860	ROLLER	60	315125	SWITCH

SPECIAL NOTES:

USE SHIMS AS REQUIRED FOR .000 to .003 GEAR BACKLASH
#27180 LOCTITE USED

◆ 5/32" HEX KEY AND HOLDER #21084 FOR BLADE CLAMP SCREW

■ SOAK IN #80111 OIL

● LUBRICATION: 1 oz. OF SKIL #80108 GREASE AROUND GEAR and PINION; 1 oz. AROUND RAM YOKE, RAM BEARINGS, CRANK ROLLER and PIN