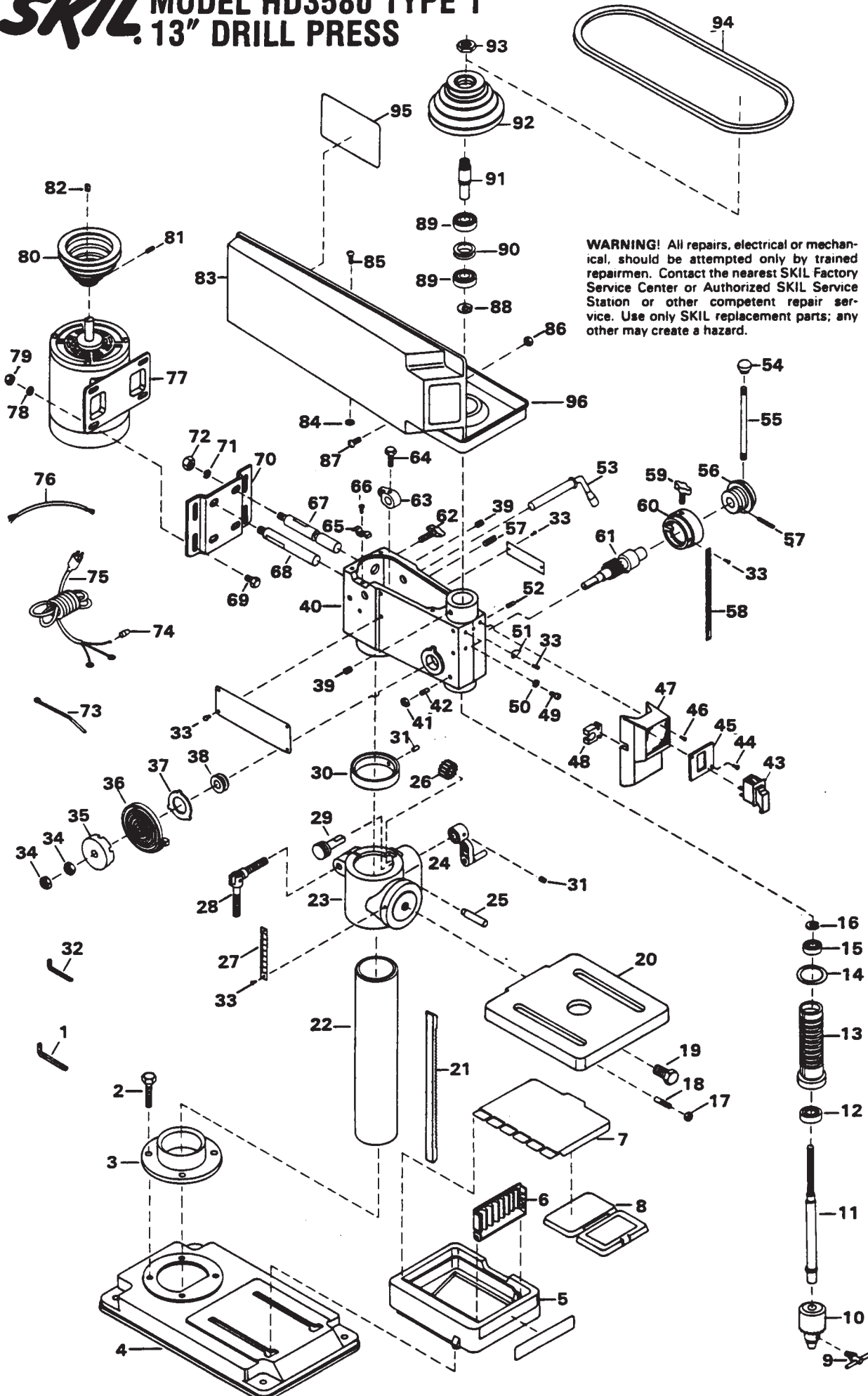


# SKIL MODEL HD3580 TYPE 1 13" DRILL PRESS



| REF. NO. | PART NO. | PART NAME             | REF. NO. | PART NO. | PART NAME                    |
|----------|----------|-----------------------|----------|----------|------------------------------|
| 1        | 5296244  | ALLEN WRENCH (4mm)    | 49       | 323282   | SOCKET HEAD CAP SCREW (2)    |
| 2        | 906019   | HEX CAP SCREW (4)     | 50       | 355269   | LOCK WASHER                  |
| 3        | 906017   | COLUMN HOLDER         | 51       | 906051   | POINTER                      |
| 4        | 906015   | BASE                  | 52       | 906046   | SET PIN                      |
| 5        | 906082   | BIT BOX               | 53       | 906035   | HANDLE SHIFTER               |
| 6        | 358128   | LARGE BIT HOLDER      | 54       | 906048   | GRIP (3)                     |
| 7        | 906081   | BIT BOX COVER         | 55       | 906047   | HANDLE BAR (3)               |
| 8        | 358139   | SMALL BIT CASE        | 56       | 906043   | HUB                          |
| 9        | 906071   | KEY                   | 57       | 906045   | ROLL PIN (3)                 |
| 10       | 906064   | 5/8" CHUCK            | 58       | 906050   | SCALE                        |
| 11       | 906059   | SPINDLE               | 59       | 358159   | KNOB                         |
| 12       | 24589    | BALL BEARING          | 60       | 906049   | SCALE RING                   |
| 13       | 906057   | QUILL                 | 61       | 906044   | FEED SHAFT                   |
| 14       | 906058   | RUBBER WASHER         | 62       | 906039   | SHIFTER BOLT (2)             |
| 15       | 23445    | BALL BEARING          | 63       | 906036   | HANDLE SHIFTER               |
| 16       | 906087   | SNAP RING             | 64       | 906037   | HEX HEAD BOLT                |
| 17       | 11489    | NUT                   | 65       | 906072   | CLAMP CORD                   |
| 18       | 906025   | LOCATION PIN          | 66       | 355293   | SCREW                        |
| 19       | 906026   | HEX HEAD SCREW        | 67       | 906038   | MOTOR BAR                    |
| 20       | 906029   | TABLE                 | 68       | 906078   | MOTOR BAR                    |
| 21       | 906031   | RACK                  | 69       | 355277   | HEX HEAD BOLT (4)            |
| 22       | 906018   | COLUMN                | 70       | 906040   | MOTOR BRACKET                |
| 23       | 906020   | TABLE BRACKET         | 71       | 906041   | SPRING WASHER (2)            |
| 24       | 906024   | CRANK HANDLE ASSY.    | 72       | 906042   | HEX NUT (2)                  |
| 25       | 906022   | GEAR SHAFT            | 73       | 906079   | CABLE TIE                    |
| 26       | 906021   | GEAR                  | 74       | 44212    | TERMINAL                     |
| 27       | 906027   | TILTING SCALE         | 75       | 358167   | CORD                         |
| 28       | 906028   | COLUMN LOCK           | 76       | 906066   | MOTOR WIRE                   |
| 29       | 906023   | WORM                  | 77       | 906065   | MOTOR ASSEMBLY               |
| 30       | 906032   | RACK RING             | 78       | 906069   | WASHER (4)                   |
| 31       | 328605   | SOCKET HEAD SET SCREW | 79       | 355272   | NUT (4)                      |
| 32       | 5297335  | ALLEN WRENCH (3mm)    | 80       | 906070   | MOTOR PULLEY                 |
| 33       | 355300   | DRIVE PIN (11)        | 81       | 358153   | SET SCREW                    |
| 34       | 27361    | NUT                   | 82       | 906090   | KEY                          |
| 35       | 906053   | SPRING CAP            | 83       | 906074   | PULLEY COVER                 |
| 36       | 906052   | COIL SPRING           | 84       | 906091   | FLAT WASHER (4)              |
| 37       | 906055   | SPRING RETAINER       | 85       | 906033   | ROUND HEAD MACHINE SCREW (4) |
| 38       | 906054   | SPRING SEAT           | 86       | 358521   | NUT (4)                      |
| 39       | 358160   | SET SCREW (3)         | 87       | 906092   | TRUSS HEAD SCREW (4)         |
| 40       | 906034   | HEAD                  | 88       | 906089   | SNAP RING                    |
| 41       | 355272   | NUT                   | 89       | 24748    | BALL BEARING                 |
| 42       | 906056   | QUILL SET SCREW       | 90       | 906061   | COLLAR                       |
| 43       | 358111   | SWITCH                | 91       | 906060   | DRIVING SLEEVE               |
| 44       | 358171   | SCREW (2)             | 92       | 906063   | SPINDLE PULLEY               |
| 45       | 906067   | SWITCH PLATE          | 93       | 906062   | PULLEY SET NUT               |
| 46       | 358168   | SCREW                 | 94       | 906077   | V BELT                       |
| 47       | 906073   | SWITCH BOX            | 95       | 905818   | PULLEY STICKER               |
| 48       | 906080   | KEY HOLDER            | 96       | 906076   | LOWER COVER                  |