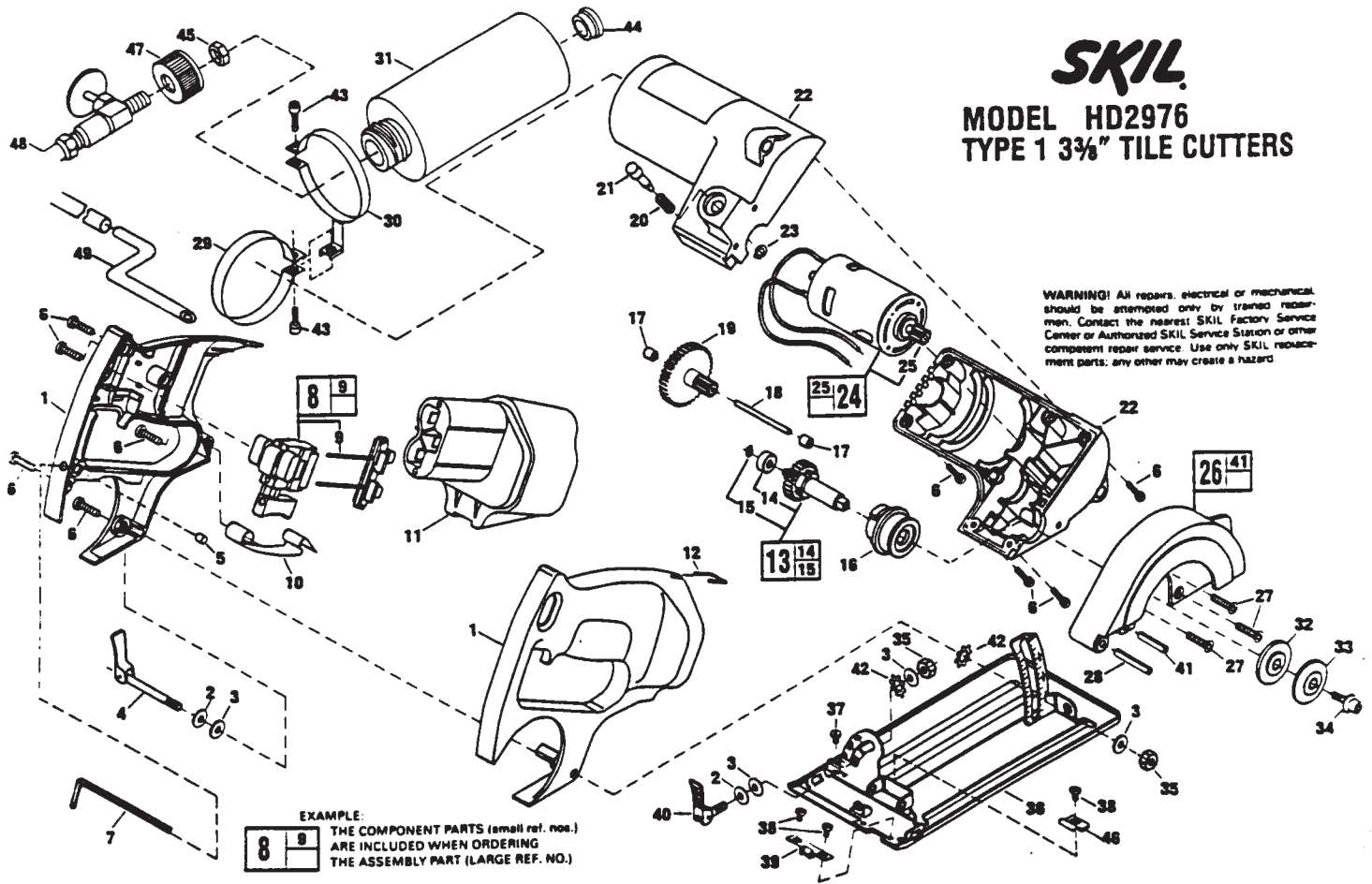


SKIL

MODEL HD2976

TYPE 1 3/8" TILE CUTTERS



REF. NO.	PART NO.	PART NAME	REF. NO.	PART NO.	PART NAME
1	905350	HANDLE SET	26	357566	UPPER GUARD ASSY.
2	357558	SPRING WASHER	27	356513	SCREW
3	356519	WASHER	28	356524	ROLL PIN
4	357562	REAR LEVER ASSEM.	29	357568	HOUSING CLAMP
5	28780	RUBBER PLUG	30	357567	BOTTLE CLAMP
6	350996	SCREW (11)	31	357577	BOTTLE
7	307033	HEX WRENCH	32	356506	INNER WASHER
8	357554	SWITCH ASSY.	33	357588	OUTER WASHER
9	356542	POWER CLIP	34	357589	BLADE SCREW
10	351018	LATCH	35	345392	LOCK NUT
11	92927	BATTERY PACK	36	356540	FOOT ASSEMBLY
12	351046	RETAINING CLIP	37	357583	SCREW
13	356536	SHAFT ASSEMBLY	38	357582	SCREW
14	5294300	BEARING	39	357595	LINE INDICATOR
15	356520	RETAINING CLIP	40	357561	FRONT LEVER ASSY.
16	356539	BEARING PLATE ASSY.	41	357581	ROLL PIN
17	327762	BEARING	42	* 26248	LOCKWASHER
18	356527	PIN	43	4075	SCREW
19	356510	CLUSTER GEAR	44	357560	RUBBER PLUG
20	356528	COMPRESSION SPRING	45	357576	JAM NUT
21	356516	PLUNGER	46	357556	SUPPORT CLIP
22	905353	HOUSING SET	47	357578	CAP
23	21862	RETAINING RING	48	357565	VALVE & HOSE ASSY.
24	356521	MOTOR ASSEMBLY	49	357557	TUBE
25	350962	MOTOR PINION GEAR		92900	CHARGER (NOT SHOWN)

SPECIAL NOTE:

*LOCKWASHER ASSEMBLES BETWEEN QUADRANT AND HINGE BRACKET ON BEVEL ADJUSTMENT. ON DEPTH ADJUSTMENT, LOCKWASHER ASSEMBLES BETWEEN UPPER GUARD AND DEPTH BRACKET.