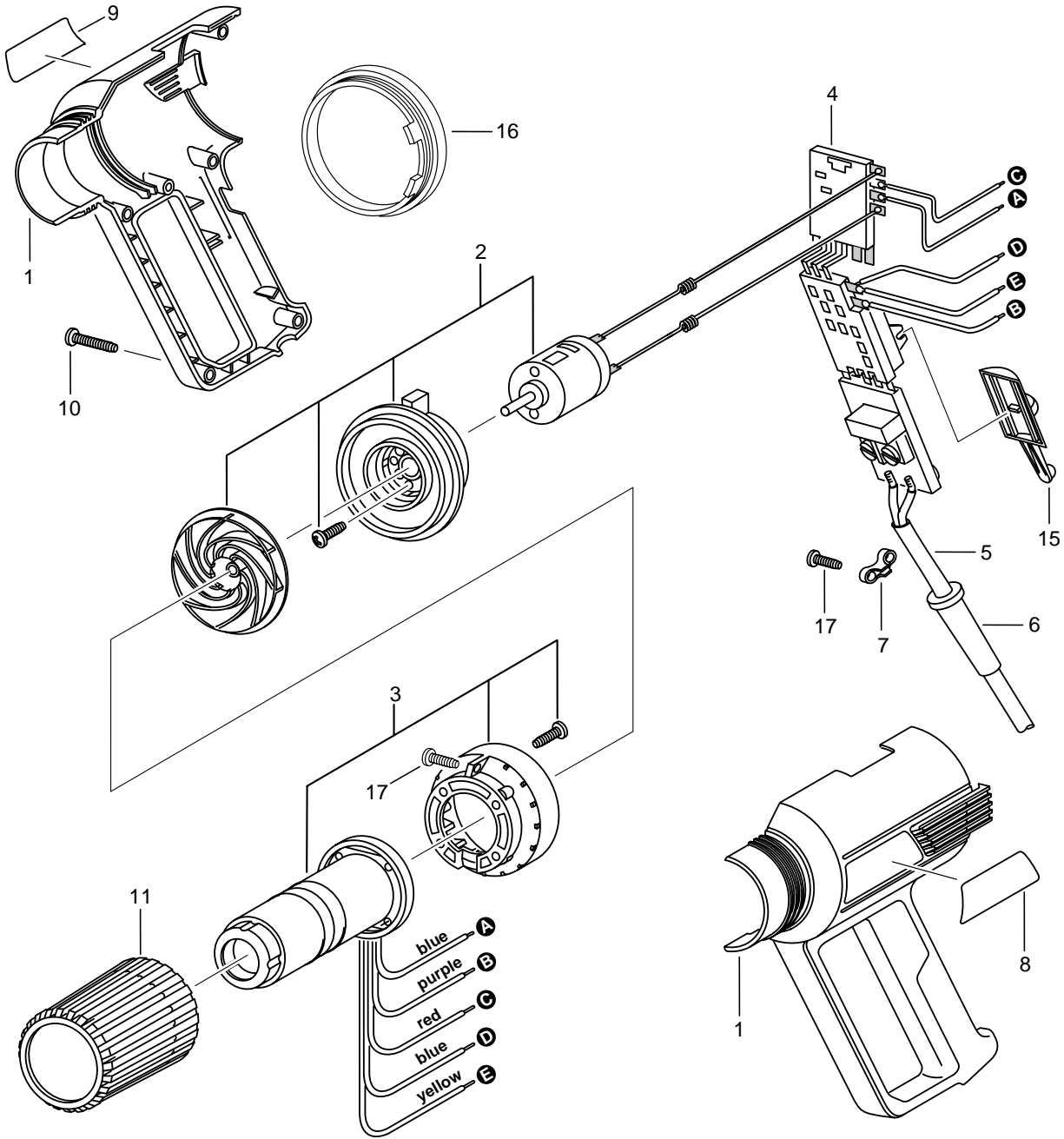




July 1996
HEAVY DUTY

HEAT GUN
Model 0603290056

HD1000
type 1



Pos.	Part Number	Description {Qty.}	F/C	Pos.	Part Number	Description {Qty.}	F/C
1	2 610 911 113	Motor Housing Assy.	71	10	2 910 615 407	Screw {6}	89
2	2 610 911 101	Motor / Fan Assembly	19	11	2 610 911 106	Protective Tube	92
3	2 610 911 115	Heating Element Assy.	23	15	2 610 911 110	Switch Slide	64
4	2 610 911 116	Switch / Board Assembly	16	16	2 610 911 117	Cover	70
5	3 604 460 514	Cord 115V 16/2	11	17	2 610 911 112	Screw {3}	89
6	2 610 911 104	Strain Relief	11	+ 700	92510	Heat Spreader	92
7	2 610 911 105	Cord Clamp	89	+ 701	92512	Heat Concentrator	92
8	2 610 909 866	Label	9	+ 702	92511	Heat Deflector	92
9	2 610 909 867	Nameplate	9	+ 703	92513	Heat Reflector	92

+ = Not Illustrated * = As Required F/C = Failure Code AW = Refer to AW Labor Time Chart