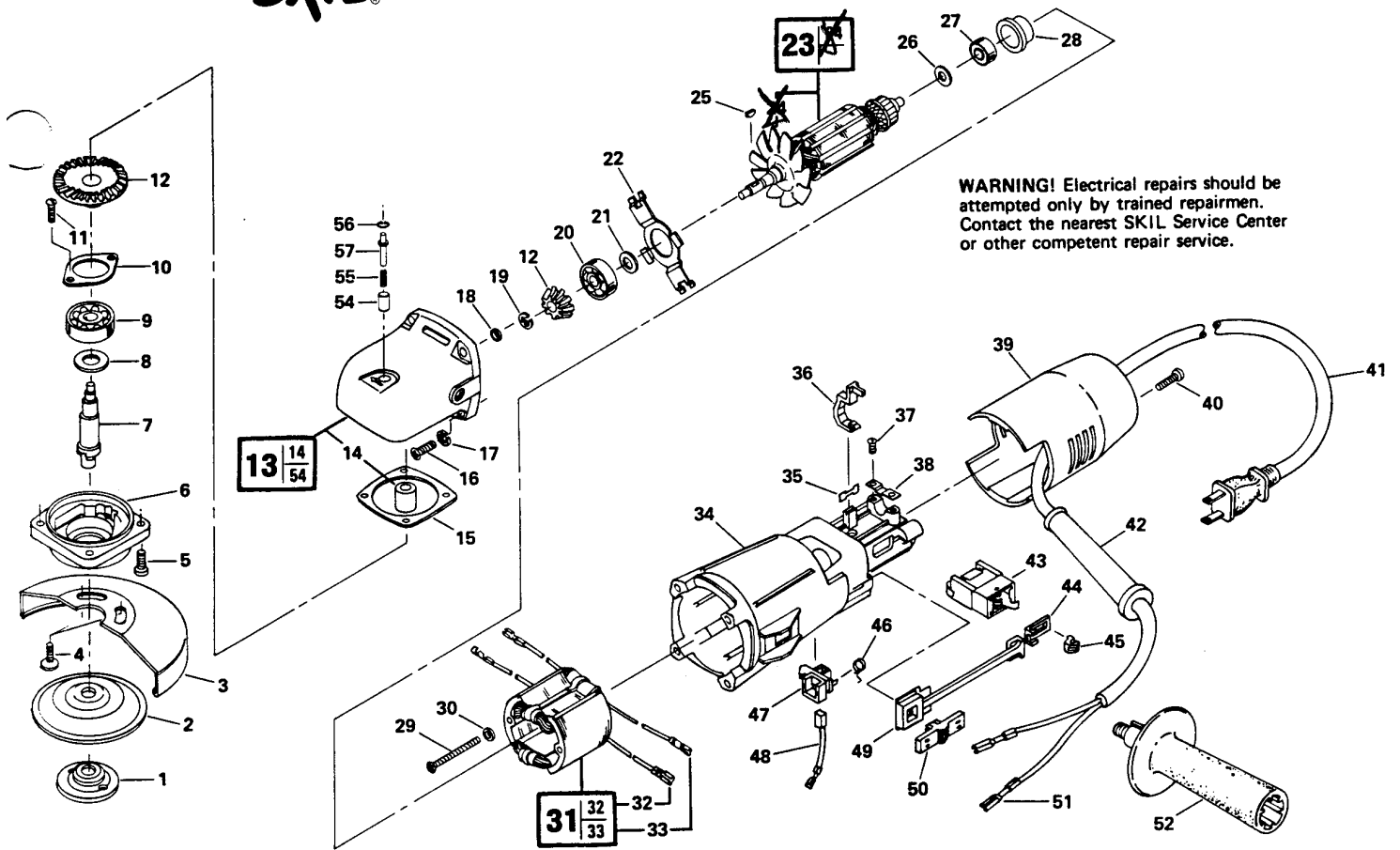


# SKIL MODEL HD9611 & 9611 TYPE 1 4-1/2" ANGLE GRINDER



**WARNING!** Electrical repairs should be attempted only by trained repairmen. Contact the nearest SKIL Service Center or other competent repair service.

REF. NO.	PART NO.	PART NAME
1	□ 350616	LOCK NUT
2	99425	WHEEL FLANGE KIT
3	99401	WHEEL GUARD
4	350585	SCREW (2)
5	350586	SCREW (4)
6	350553	BEARING PLATE
7	350618	SPINDLE
8	350581	WASHER
9	350582	BALL BEARING
10	350555	BEARING RETAINER
11	350587	SCREW (2)
12	350630	GEAR SET
13	350626	GEAR HOUSING ASSY
14	350583	SLEEVE BEARING
15	350558	SHIM
16	350588	SCREW (4)
17	327875	LOCKWASHER (4)
18	• 318831	NUT
19	318832	LOCKWASHER
20	350584	BALL BEARING
21	350564	WASHER
22	350560	BEARING RETAINER
23	350561	ARMATURE ASSEMBLY
24	350621	LOCK PIN
25	318808	WOODRUFF KEY
26	350590	WASHER
27	67674	BALL BEARING
28	318840	BEARING CAP
29	350563	SCREW (2)

REF. NO.	PART NO.	PART NAME
30	318830	LOCKWASHER (2)
31	350565	FIELD ASSEMBLY
32	350595	TERMINAL (2)
33	350594	TERMINAL (2)
34	905372	MOTOR HOUSING
35	350593	TERMINAL
36	350569	SWITCH RETAINER
37	318846	SCREW (2)
38	326142	CORD CLAMP
39	905371	SWITCH COVER
40	350589	SCREW (2)
41	302809	CORD & PLUG
42	318856	CORD GUARD
43	350575	SWITCH
44	350573	SWITCH ROD LINK
45	350574	SWITCH INSULATOR
46	350570	BRUSH SPRING (2)
47	350567	BRUSH HOLDER (2)
48	350568	BRUSH ASSEMBLY (2)
49	350572	SWITCH ROD
50	350571	SWITCH BUTTON
51	350594	TERMINAL (2)
52	350578	SIDE HANDLE ASSY
53	99100	ADJ. SPANNER WRENCH (Not Shown)
54	350624	COLLAR PIN
55	350623	SPRING
56	350622	RETAINING RING

**SPECIAL NOTES:**

• APPLY # 27180 LOCTITE TO NUT AND TIGHTEN NUT UNTIL SPRING WASHER BECOMES FLAT, THEN BACK OFF NUT 1/2 TURN.

□ FLANGE KIT CONTAINS 350616 LOCK NUT.