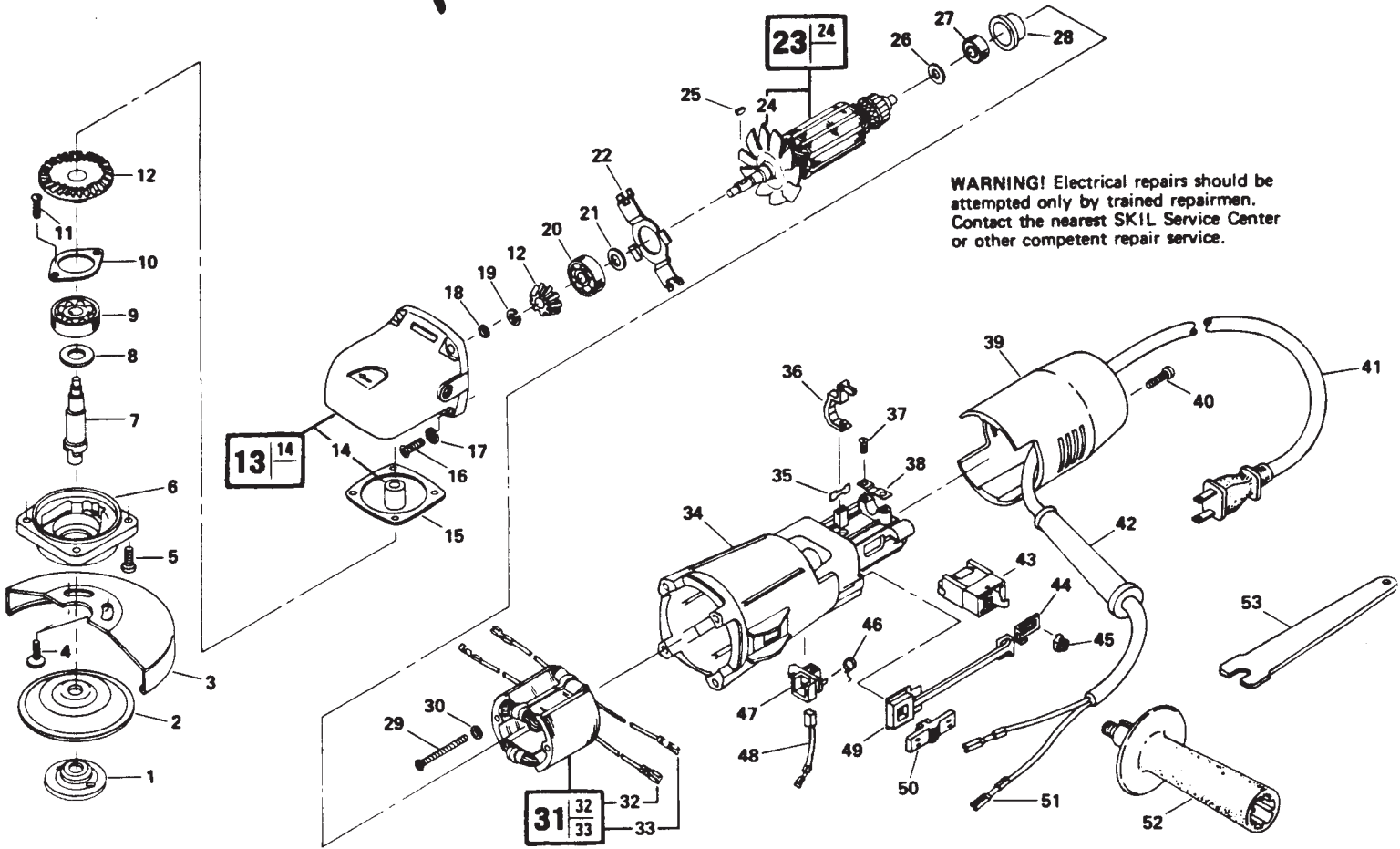


SKIL MODEL

9511 TYPE 1 4-1/2" DISC GRINDER



WARNING! Electrical repairs should be attempted only by trained repairmen. Contact the nearest SKIL Service Center or other competent repair service.

REF. NO.	PART NO.	PART NAME
1	•	WHEEL LOCK NUT
2	•	WHEEL FLANGE
3	99401	WHEEL GUARD
4	350585	SCREW (2)
5	350586	SCREW (4)
6	350553	BEARING PLATE
7	•	SPINDLE
8	350581	WASHER
9	350582	BALL BEARING
10	350555	BEARING RETAINER
11	350587	SCREW (2)
12	350556	GEAR SET
13	350557	GEAR HOUSING ASSY
14	350583	SLEEVE BEARING
15	*350558	SHIM
16	350588	SCREW (4)
17	327875	LOCKWASHER
18	*318831	NUT
19	318832	LOCKWASHER
20	350584	BALL BEARING
21	350564	WASHER
22	350560	BEARING RETAINER
23	350561	ARMATURE ASSEMBLY
24	350562	FAN
25	318808	WOODDRUFF KEY
26	350590	WASHER
27	67674	BALL BEARING
28	318840	BEARING CAP

REF. NO.	PART NO.	PART NAME
29	350563	SCREW (2)
30	318830	LOCKWASHER (2)
31	350565	FIELD ASSEMBLY
32	350594	TERMINAL (2)
33	350595	TERMINAL (2)
34	350566	MOTOR HOUSING
35	350593	TERMINAL
36	350569	SWITCH RETAINER
37	318846	SCREW (2)
38	326142	CORD CLAMP
39	350576	SWITCH COVER
40	350589	SCREW (2)
41	350577	CORD & PLUG
42	318856	CORD GUARD
43	350575	SWITCH
44	350573	SWITCH ROD LINK
45	350574	SWITCH INSULATOR
46	350570	BRUSH SPRING (2)
47	350567	BRUSH HOLDER (2)
48	350568	BRUSH ASSEMBLY
49	350572	SWITCH ROD
50	350571	SWITCH BUTTON
51	350594	TERMINAL (2)
52	350578	SIDE HANDLE ASSY
53	•	SPINDLE LOCK WRENCH
54	99100	ADJ. SPANNER WRENCH (Not Shown)

● FOLLOWING PARTS ONLY APPLY TO MODELS INDICATED

REF. NO.	MODEL	MODEL	PART NAME
1	350550	350616	WHEEL LOCK NUT
2	350551	★ 99425	WHEEL FLANGE
7	★350554	★350644	SPINDLE
53	72033	357504	SPINDLE LOCK WRENCH

- * AS REQUIRED FOR .003" TO .014" BACKLASH.
- * APPLY LOCTITE #27180 TO NUT AND TIGHTEN NUT UNTIL SPRING WASHER BECOMES FLAT, THEN BACK OFF NUT 1/2 TURN.
- ★ INCLUDES WHEEL LOCK NUT.
- ★ 9410 IS M10 x 1.5 METRIC SPINDLE, 9511 IS 5/8" x 11 SAE SPINDLE.