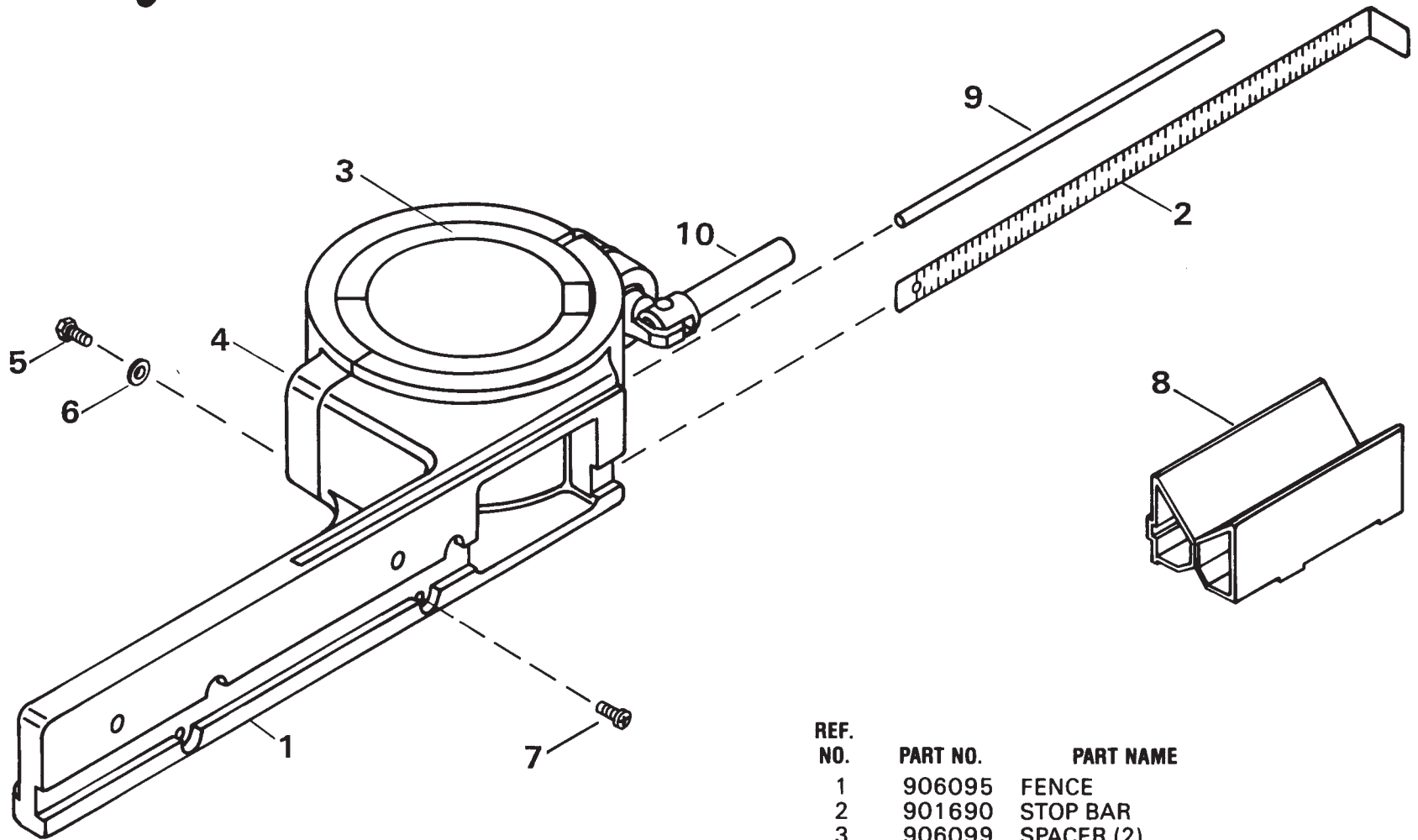


SKIL MODEL 80540 DRILL PRESS FENCE



REF. NO.	PART NO.	PART NAME
1	906095	FENCE
2	901690	STOP BAR
3	906099	SPACER (2)
4	906097	BRACKET
5	901692	HEX HEAD CAP SCREW (2)
6	901693	6mm LOCK WASHER (2)
7	300129	PAN HEAD SCREW (4)
8	901694	V BLOCK
9	901691	ROD
10	358116	LOCK HANDLE