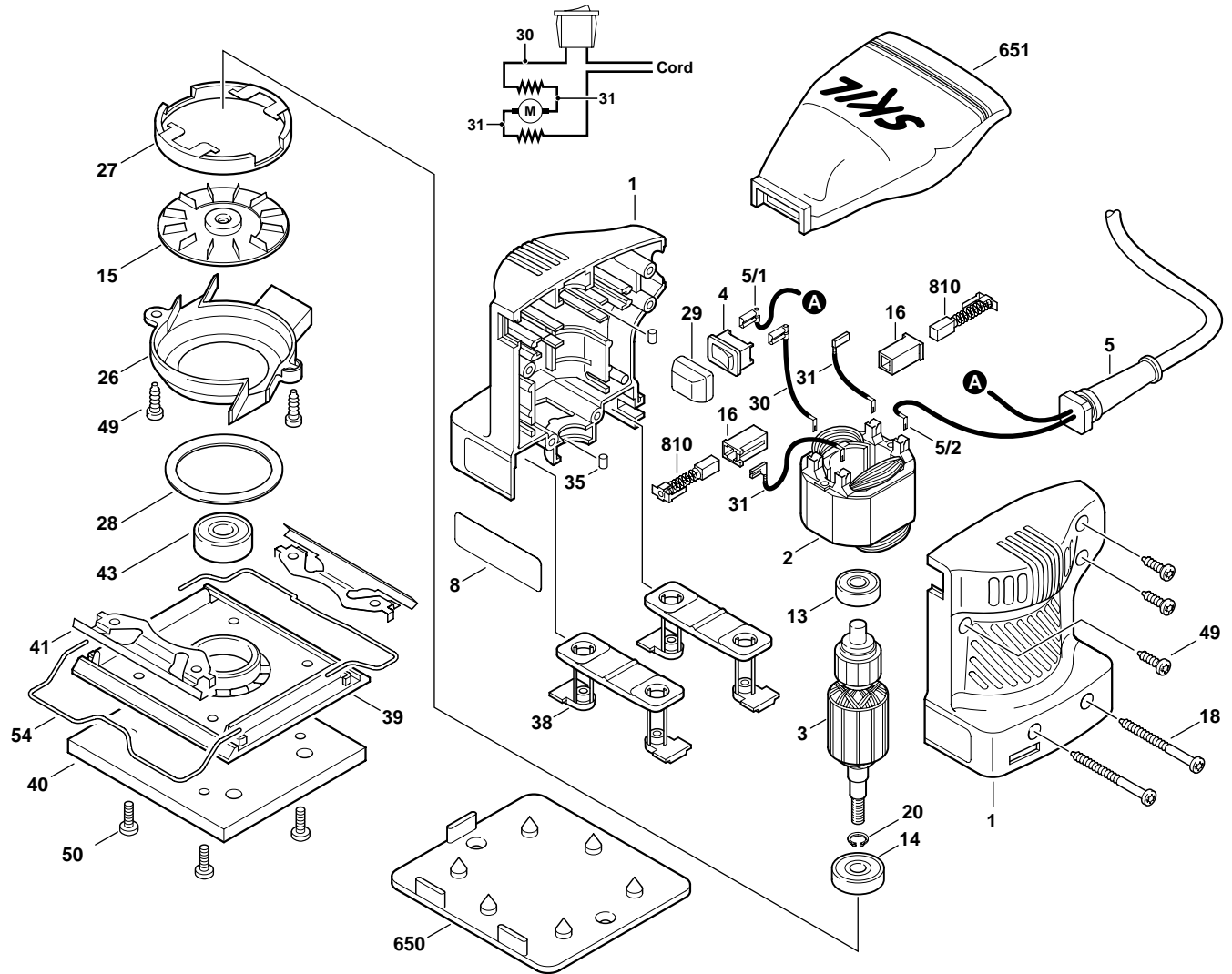




July 1998
CONSUMER

ORBITAL SANDER
Model F01272771Y

7277



Pos.	Part Number	Description {Qty}	F/C	Pos.	Part Number	Description {Qty}	F/C
1	2 610 913 893	Housing Assembly	71	28	2 610 352 805	Felt Seal	77
2	2 610 352 766	Field 120V	22	29	2 615 296 825	Dust Cover	9
3	2 610 993 879	Armature 120V	AW	30	2 610 038 610	Cable 50mm	10
4	2 610 910 115	Switch On/Off	15	31	2 610 038 852	Cable 50mm {2}	10
5	2 610 313 328	Cord 120V 18/2	11	35	2 610 350 103	Rubber Pin {2}	66
5/1	2 610 352 788	Terminal	10	38	2 610 902 931	Vibration Foot {2}	88
5/2	2 610 318 744	Terminal	10	39	2 610 902 933	Base Plate	88
8	2 610 995 443	Nameplate "7277"	9	40	2 610 910 082	Backing Pad	88
13	2 610 351 861	Ball Bearing	61	41	2 610 902 932	Clamp {2}	80
14	2 610 010 409	Ball Bearing	60	43	2 610 042 699	Ball Bearing	56
15	2 610 358 001	Fan	23	49	2 610 326 578	Screw {5}	89
16	2 610 320 548	Brush Holder {2}	25	50	2 610 352 771	Screw {4}	89
18	2 610 352 806	Screw {2}	89	54	2 610 352 839	Clamping Lever {2}	80
20	2 610 018 632	Retaining Ring	89	650	2 610 358 021	Punch Plate	9
26	2 610 352 774	Dust Deflector	24	651	2 610 903 815	Dust Bag	9
27	2 610 356 794	Baffle	24	810	2 610 321 617	Brush Set	26

+ = Not Illustrated * = As Required F/C = Failure Code AW = Refer to AW Labor Time Chart