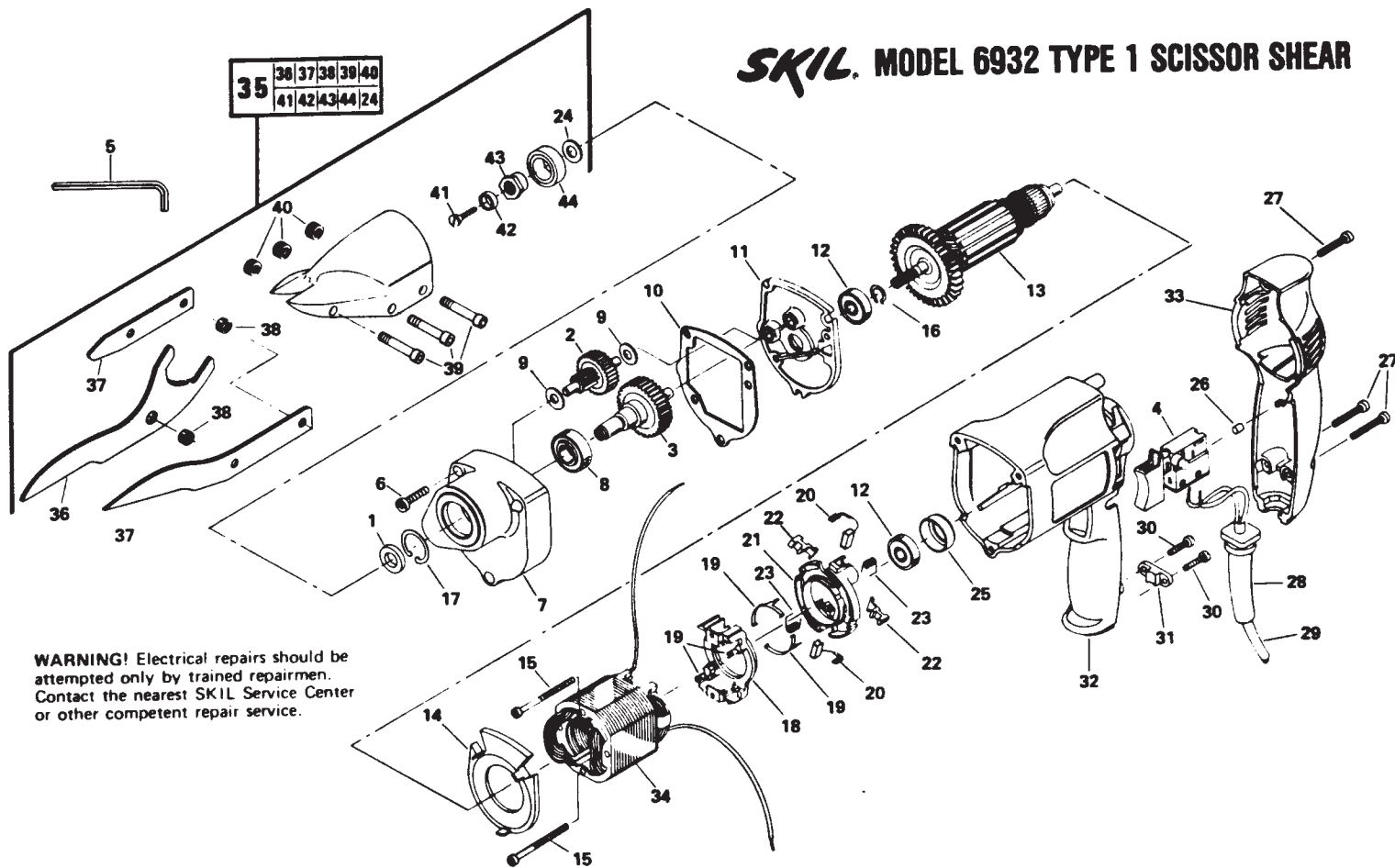


# SKIL MODEL 6932 TYPE 1 SCISSOR SHEAR



**WARNING!** Electrical repairs should be attempted only by trained repairmen. Contact the nearest SKIL Service Center or other competent repair service.

REF. NO.	PART NO.	PART NAME
1	348557	SPACER
2	350933	INTERMEDIATE GEAR ASSY.
3	350936	OUTPUT SHAFT ASSY.
4	348553	SWITCH
5	21084	WRENCH & HOLDER
6	348621	SCREW (3)
7	348597	GEAR HOUSING ASSY.
8	15747	BALL BEARING
9	348611	WASHER
10	348570	GASKET
11	348595	BEARING PLATE ASSY.
12	351861	BALL BEARING
13	348592	ARMATURE
14	348586	BAFFLE
15	348550	SCREW
16	18632	RETAINING RING
17	● 348646	RETAINING RING
18	348613	STATIONARY CONTACT CARRIER
19	350352	CONTACT SET
20	350350	BRUSH SET
21	348614	REV. SWITCH & BRUSH HOLDER
22	348615	REVERSE LEVER
23	350351	BRUSH SPRING SET

REF. NO.	PART NO.	PART NAME
24	306182	WASHER
25	326023	SLEEVE
26	28780	RUBBER PLUG
27	348622	SCREW
28	313327	STRAIN RELIEF
29	350358	CORD & PLUG
30	315386	SCREW
31	64973	CORD CLAMP
32	348585	MOTOR HOUSING
33	348584	HANDLE COVER
34	350353	FIELD
35	74201	SCISSOR SHEAR KIT
36	74204	CENTER BLADE
37	74205	SIDE KNIFE SET
38	325206	SPACER BUSHING
39	325208	CAP SCREWS
40	325207	KNURLED INSERT
41	68006	CHUCK SCREW
42	325215	WASHER
43	325201	ECCENTRIC
44	7430	BALL BEARING

● INSTALL WITH CONVEX SIDE TOWARD BEARING.

SKIL CORPORATION • SUBSIDIARY OF EMERSON ELECTRIC CO.  
4801 W. PETERSON AVENUE • CHICAGO, IL 60646

F-351380 1/87  
PRINTED IN U.S.A.