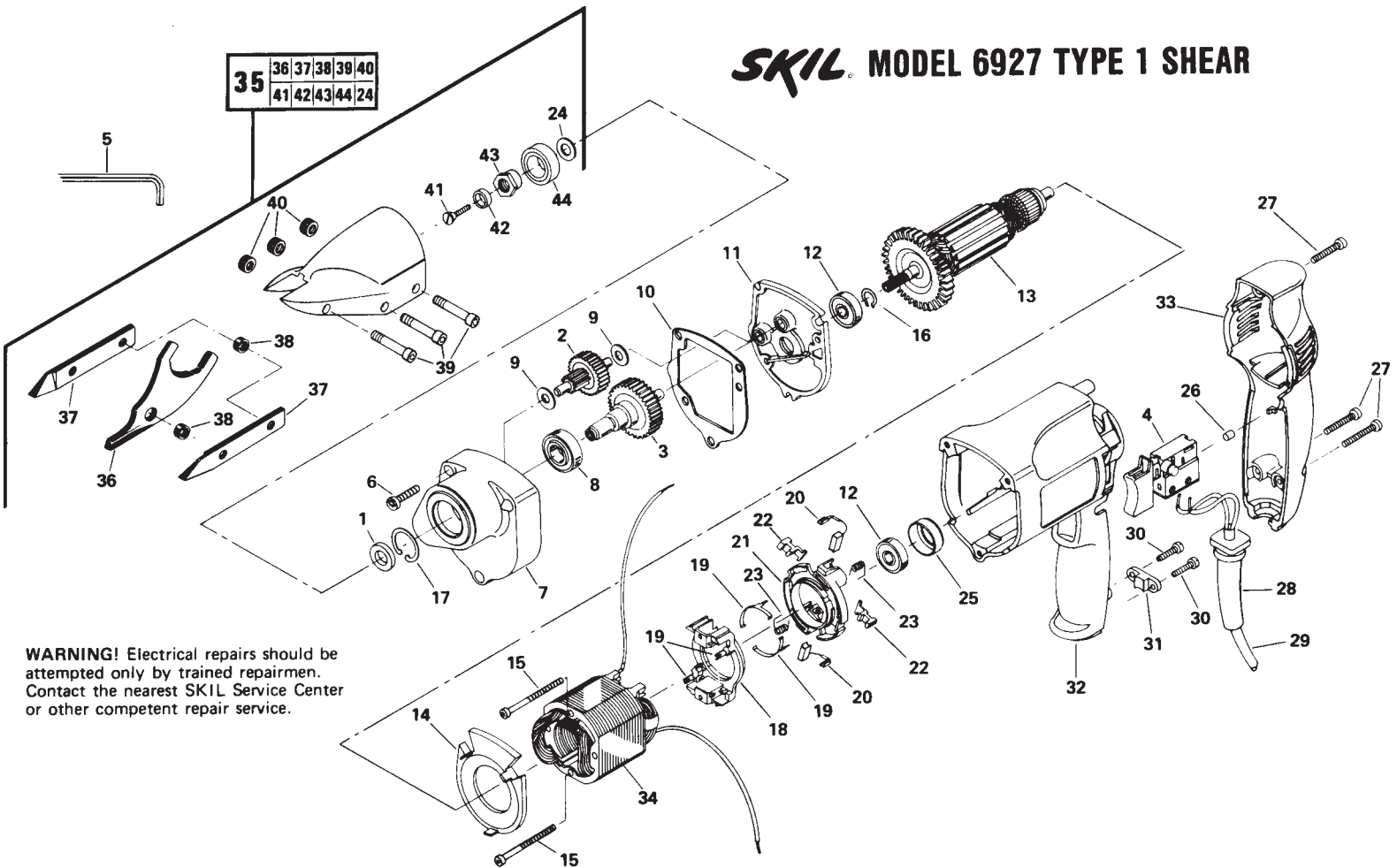


SKIL MODEL 6927 TYPE 1 SHEAR



WARNING! Electrical repairs should be attempted only by trained repairmen. Contact the nearest SKIL Service Center or other competent repair service.

REF. NO.	PART NO.	PART NAME	REF. NO.	PART NO.	PART NAME
1	348557	SPACER	24	306182	WASHER
2	350933	INTERMEDIATE GEAR ASSY.	25	326023	SLEEVE
3	350936	OUTPUT SHAFT ASSY.	26	28780	RUBBER PLUG
4	348553	SWITCH	27	348622	SCREW
5	21084	WRENCH & HOLDER	28	313327	STRAIN RELIEF
6	348621	SCREW (3)	29	350358	CORD & PLUG
7	348597	GEAR HOUSING ASSY.	30	315386	SCREW
8	15747	BALL BEARING	31	64973	CORD CLAMP
9	348611	WASHER	32	348585	MOTOR HOUSING
10	348570	GASKET	33	348584	HANDLE COVER
11	348595	BEARING PLATE ASSY.	34	350353	FIELD
12	351861	BALL BEARING	35	74200	SHEAR KIT
13	348592	ARMATURE	36	74202	CENTER BLADE
14	348586	BAFFLE	37	74203	SIDE KNIFE SET
15	348550	SCREW	38	325206	SPACER BUSHING
16	18632	RETAINING RING	39	325208	CAP SCREWS
17	348646	RETAINING RING	40	325207	KNURLED INSERT
18	348613	STATIONARY CONTACT CARRIER	41	68006	CHUCK SCREW
19	350352	CONTACT SET	42	325215	WASHER
20	350350	BRUSH SET	43	325201	ECCENTRIC
21	348614	REV. SWITCH & BRUSH HOLDER	44	7430	BALL BEARING
22	348615	REVERSE LEVER			
23	350351	BRUSH SPRING SET			

● INSTALL WITH CONVEX SIDE TOWARD BEARING.