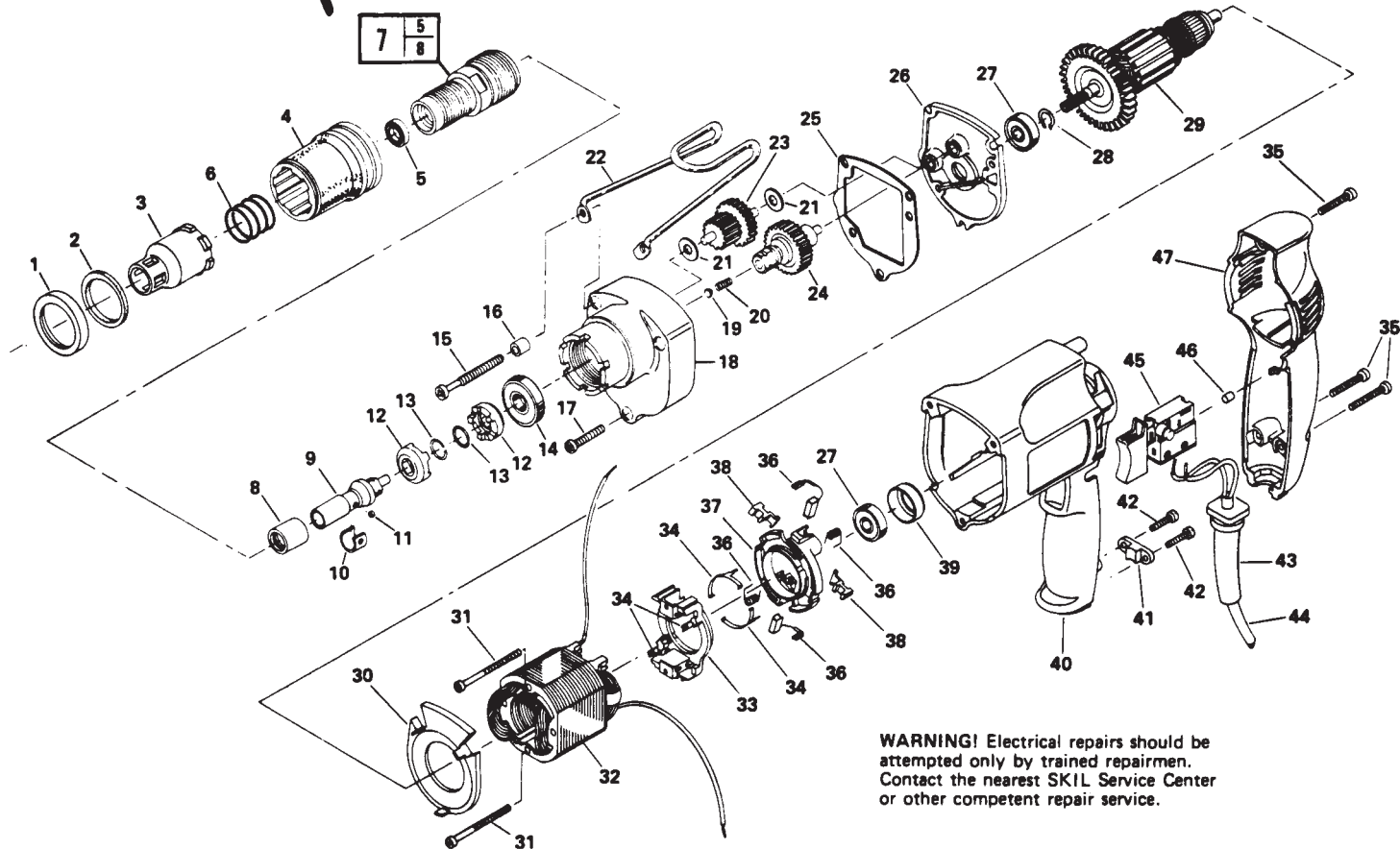


SKIL MODEL 6911 TYPE 1 DEPTH ADJUSTABLE DRIVER



WARNING! Electrical repairs should be attempted only by trained repairmen. Contact the nearest SKIL Service Center or other competent repair service.

REF. NO.	PART NO.	PART NAME
1	350934	RETAINER
2	350945	SEAL
3	•	NOSE
4	★ 355200	LOCKING SLEEVE
5	350766	SEAL
6	★ 355202	SPRING
▲ 7	★ 355203	BARREL ASSY.
8	□ 350767	NEEDLE BEARING
9	348641	CLUTCH SPINDLE
10	21265	SPRING
11	2144	BALL
12	348643	CLUTCH JAWS
13	350763	RETAINING RING
14	15747	BALL BEARING
15	350943	SCREW (2)
16	350941	SPACER (2)
17	348621	SCREW
18	350755	GEAR HOUSING ASSY.
19	15236	BUTTON
20	15241	SPRING
21	348611	WASHER
22	350939	HIP CLIP
23	350933	INTERMEDIATE GEAR
24	350757	OUTPUT SHAFT ASSY.
25	348570	GASKET

REF. NO.	PART NO.	PART NAME
26	348595	BEARING PLATE ASSY.
27	351861	BALL BEARING
28	18632	RETAINING RING
29	348589	ARMATURE ASSEMBLY
30	348586	BAFFLE
31	348628	SCREW
32	350354	FIELD ASSEMBLY
33	348613	STATIONARY CONTACT CARRIER
34	350352	CONTACT SET
35	348622	SCREW
36	353931	BRUSH AND SPRING SET
37	348614	REV. SWITCH & BRUSH HOLDER
38	348615	REVERSE LEVER
39	326023	SLEEVE
40	348585	MOTOR HOUSING
41	64973	CORD CLAMP
42	315386	SCREW
43	313327	STRAIN RELIEF
44	350903	CORD & PLUG
45	348551	SWITCH
46	28780	RUBBER PLUG
47	348584	HANDLE COVER

• NOSE	USE WITH
96902	5/16" and 1/4" NUTSETTER
96903	3/8" NUTSETTER
96904	MAGNETIC BIT HOLDER

SPECIAL NOTES:

- INSTALL WITH SEAL TOWARD NOSE.
- ★ EARLY MODELS USED AN "O" RING TO LOCK THE LOCKING SLEEVE TO BARREL. "O" RING EQUIPPED MODELS MUST BE CONVERTED USING #355204 DEPTH ADJUSTMENT KIT.
- ▲ BARREL IS LEFT HAND THREAD INTO GEAR HOUSING.