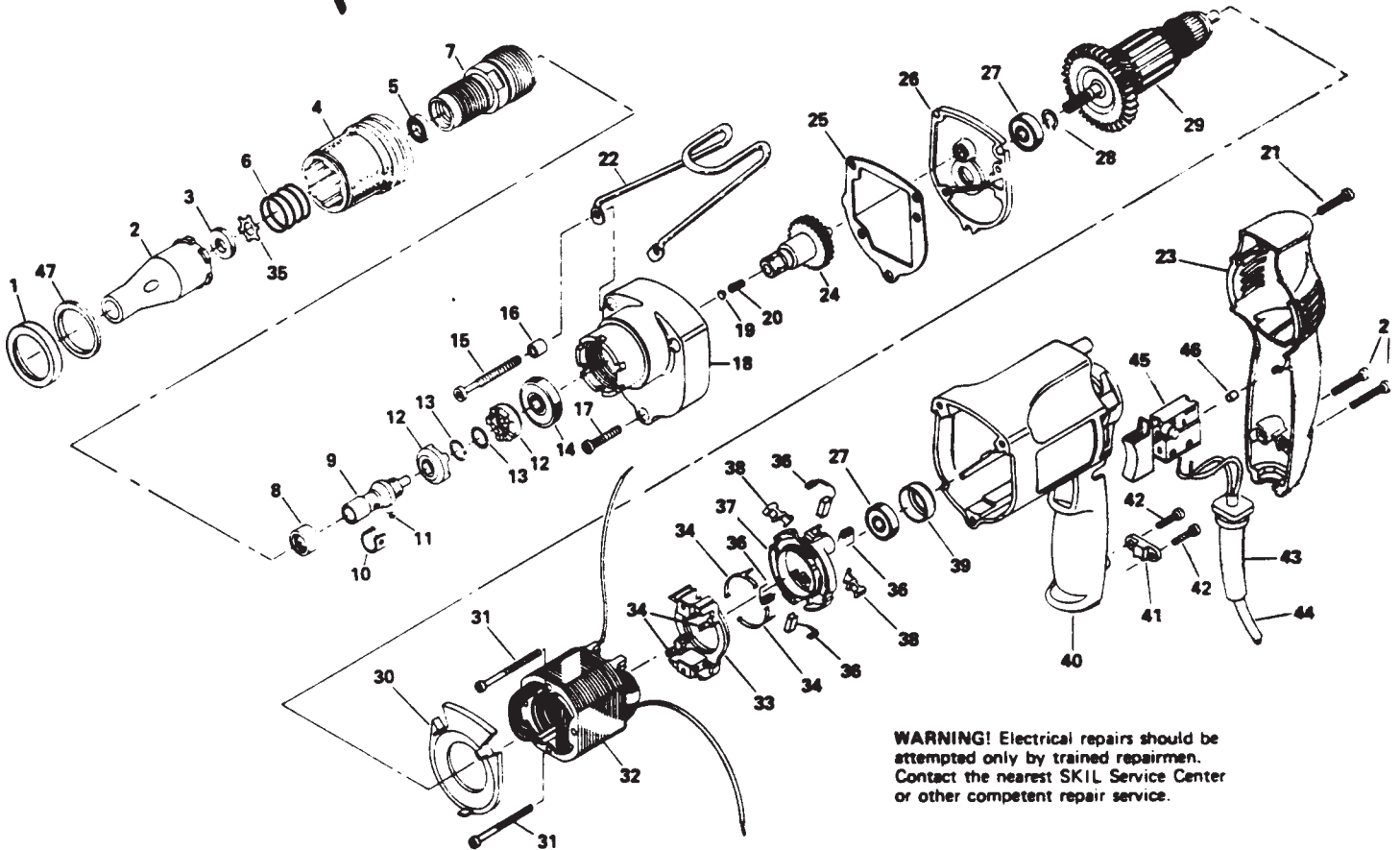


SKIL MODEL 6906 TYPE 2 DRYWALL DRIVER



WARNING! Electrical repairs should be attempted only by trained repairmen. Contact the nearest SKIL Service Center or other competent repair service.

REF. NO.	PART NO.	PART NAME	REF. NO.	PART NO.	PART NAME
1	350934	RETAINER	26	350765	BEARING PLATE ASSY.
2	96901	NOSE	27	351861	BALL BEARING
3	351851	SEAL	28	18632	RETAINING RING
4	355200	LOCKING SLEEVE	29	350782	ARMATURE ASSEMBLY
5	355205	SEAL	30	348586	BAFFLE
6	355202	SPRING	31	348628	SCREW
7	□ 355207	BARREL	32	350354	FIELD ASSEMBLY
8	• 355209	NEEDLE BEARING	33	348613	STATIONARY CONTACT CARRIER
9	355208	CLUTCH SPINDLE	34	350352	CONTACT SET
10	355206	SPRING	35	351853	RETAINER
11	2144	BALL	36	353931	BRUSH AND SPRING SET
12	348643	CLUTCH JAWS	37	348614	REV. SWITCH & BRUSH HOLDER
13	350763	RETAINING RING	38	348615	REVERSE LEVER
14	15747	BALL BEARING	39	326023	SLEEVE
15	350943	SCREW (2)	40	348585	MOTOR HOUSING
16	350941	SPACER (2)	41	64973	CORD CLAMP
17	348621	SCREW	42	315386	SCREW
18	350793	GEAR HOUSING ASSY.	43	313327	STRAIN RELIEF
19	15236	BUTTON	44	350903	CORD & PLUG
20	15241	SPRING	45	348551	SWITCH
21	348622	SCREW	46	28780	RUBBER PLUG
22	350939	HIP CLIP	47	350945	SEAL
23	348584	HANDLE COVER			
24	350758	OUTPUT SHAFT ASSY.			
25	348570	GASKET			

SPECIAL NOTES:

• INSTALL WITH SEAL TOWARD NOSE.

□ BARREL IS LEFT HAND THREAD INTO GEAR HOUSING.

SKIL CORPORATION • SUBSIDIARY OF EMERSON ELECTRIC CO.
4300 W. PETERSON AVENUE • CHICAGO, IL 60646

F-355961 3/90
PRINTED IN U.S.A.