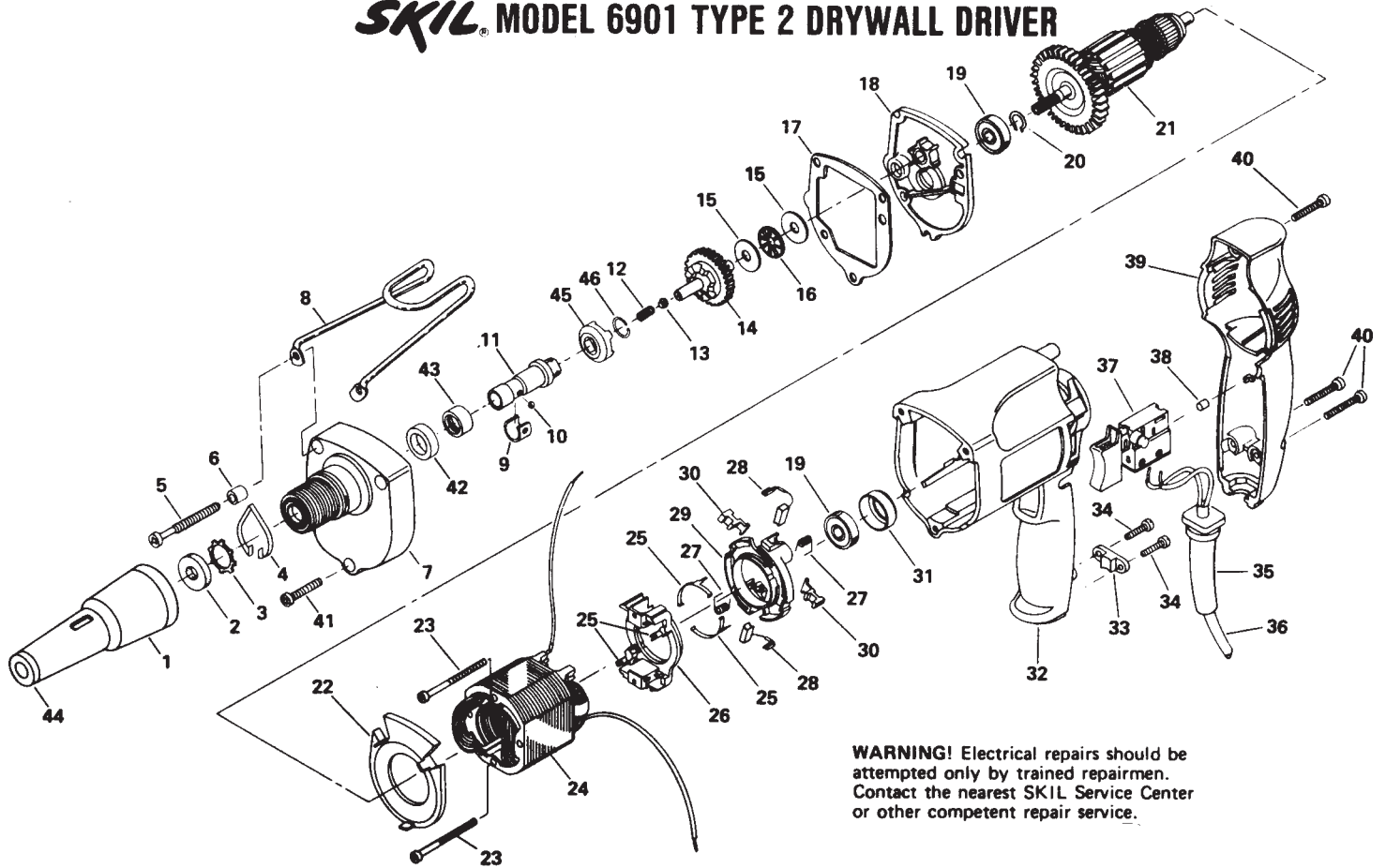


SKIL MODEL 6901 TYPE 2 DRYWALL DRIVER



WARNING! Electrical repairs should be attempted only by trained repairmen. Contact the nearest SKIL Service Center or other competent repair service.

REF. NO.	PART NO.	PART NAME
1	96913	NOSE
2	351851	SEAL
3	351853	RETAINING RING
4	352893	SPRING
5	350943	SCREW (2)
6	350941	SPACER (2)
7	355216	GEAR HOUSING ASSY.
8	350939	HIP CLIP
9	355206	SPRING
10	2144	BALL
11	355210	CLUTCH SPINDLE
12	15241	SPRING
13	15236	BUTTON
14	355215	OUTPUT SHAFT ASSY.
15	350776	WASHER
16	350777	THRUST BEARING
17	348570	GASKET
18	350765	BEARING PLATE ASSY.
19	351861	BALL BEARING
20	18632	RETAINING RING
21	350783	ARMATURE ASSY.
22	348586	BAFFLE

REF. NO.	PART NO.	PART NAME
23	348550	SCREW
24	350353	FIELD ASSY.
25	350352	CONTACT SET
26	348613	STATIONARY CONTACT CARRIER
27	350351	SPRING SET
28	350350	BRUSH SET
29	348614	REV. SWITCH & BRUSH HOLDER
30	348615	REVERSE LEVER
31	326023	SLEEVE
32	348585	MOTOR HOUSING
33	64973	CORD CLAMP
34	315386	SCREW
35	313327	STRAIN RELIEF
36	350903	CORD & PLUG
37	348551	SWITCH
38	28780	RUBBER PLUG
39	348584	HANDLE COVER
40	348622	SCREW
41	348621	SCREW
42	350781	SEAL
43	350767	NEEDLE BEARING
44	355212	NOSE INSERT
45	348643	CLUTCH JAW
46	350763	RETAINING RING
47	96911	BIT HOLDER (Not Shown)

• INSTALL WITH SEAL TOWARD NOSE