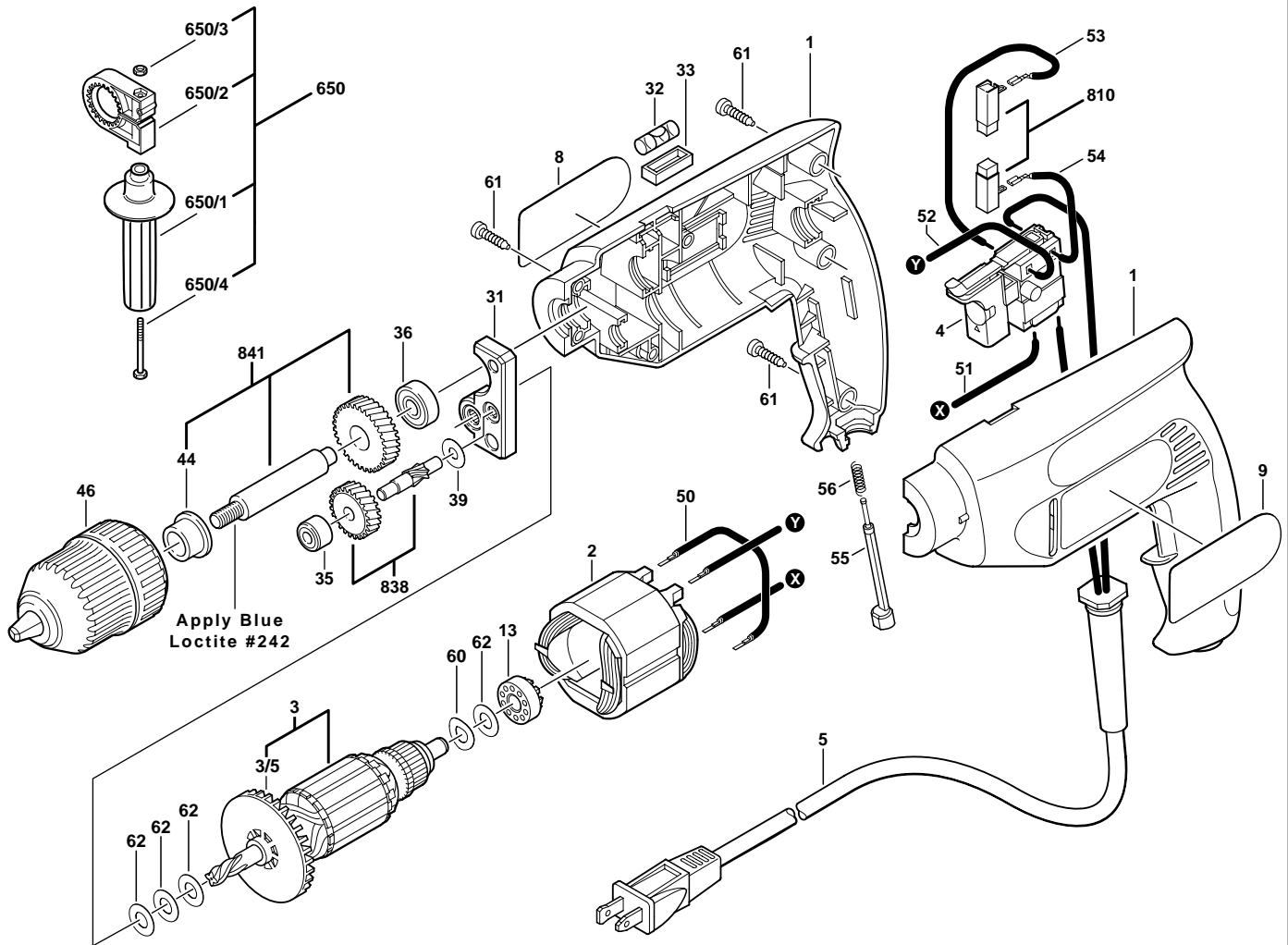




April 1997
CONSUMER

1/2" DRILL
Model F012636044

6360



Pos.	Part Number	Description {Qty.}	F/C	Pos.	Part Number	Description {Qty.}	F/C
1	2 610 967 150	Housing Assembly	71	52	2 610 967 177	Cable 140mm	10
2	2 610 967 181	Field 120V	22	53	2 610 039 904	Cable 130mm	10
3	2 610 967 173	Armature w/Fan 120V	AW	54	2 610 320 494	Cable 50mm	10
3/5	2 610 910 304	Fan	23	55	2 610 967 151	Switch Lock	9
4	2 610 967 154	Switch VSR	17	56	2 610 967 228	Spring	27
5	2 610 313 328	Cord 120V 18/2	11	60	2 610 026 126	Spring Washer	65
8	2 610 993 033	Nameplate "6360"	9	61	2 610 326 578	Screw {7}	89
9	2 610 968 299	Label "Skil Classic"	9	62	2 610 027 396	Washer {4}	65
13	2 610 967 219	Bushing	60	650	2 610 967 198	Auxiliary Handle Assembly w/pos. 650/1 - 650/4	9
31	2 610 967 163	Bearing Block Assembly	38	650/1	2 610 910 349	Handle	9
32	2 610 967 204	Level	9	650/2	2 610 910 325	Clamp	80
33	2 610 967 152	Level Support	9	650/3	2 610 044 563	Nut	89
35	2 610 992 216	Needle Bearing Assembly	56	650/4	2 610 967 194	Bolt	89
36	2 610 001 147	Ball Bearing	56	810	2 610 967 197	Brush & Holder Set (set contains 2 ea.)	26
39	2 600 100 627	Shim 0.3mm	65	838	2 610 993 247	Intermediate Gear	31
44	2 610 967 161	Bushing	51	841	2 610 967 170	Spindle w/Gear Assembly w/pos. 44	52
46	2 610 967 195	Keyless Chuck 1/2"	91				
50	2 610 967 175	Cable 135mm	10				
51	2 610 967 176	Cable 165mm	10				

+ = Not Illustrated * = As Required F/C = Failure Code AW = Refer to AW Labor Time Chart