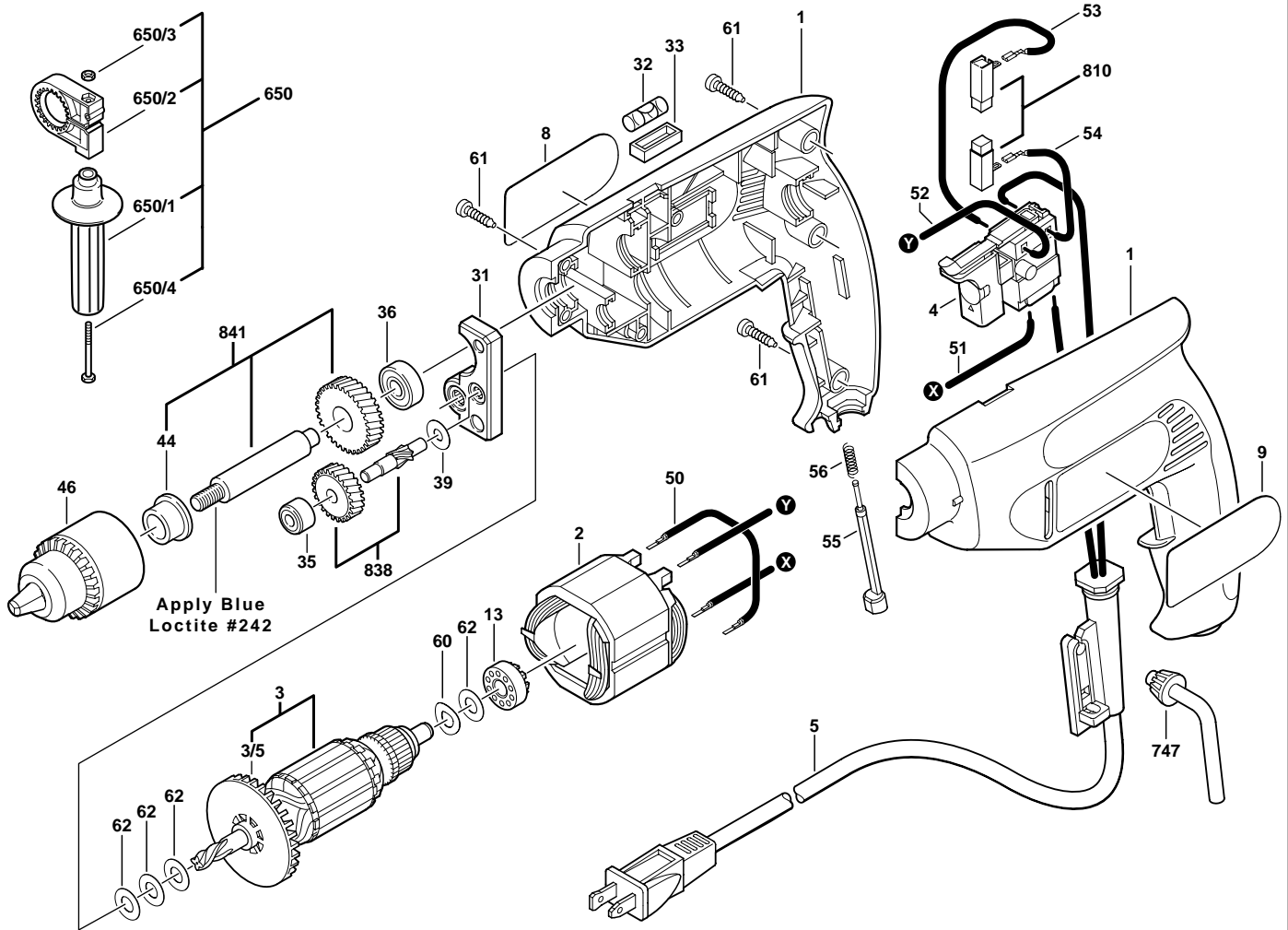




April 1997  
CONSUMER

1/2" DRILL  
Model F012635500

6355



Pos.	Part Number	Description {Qty.}	F/C	Pos.	Part Number	Description {Qty.}	F/C
1	2 610 967 150	Housing Assembly	71	53	2 610 039 904	Cable 130mm	10
2	2 610 967 181	Field 120V	22	54	2 610 320 494	Cable 50mm	10
3	2 610 967 173	Armature w/Fan 120V	AW	55	2 610 967 151	Switch Lock	9
3/5	2 610 910 304	Fan	23	56	2 610 967 228	Spring	27
4	2 610 967 153	Switch VSR	17	60	2 610 026 126	Spring Washer	65
5	2 610 967 174	Cord 120V 18/2	11	61	2 610 326 578	Screw {7}	89
8	2 610 993 035	Nameplate "6355"	9	62	2 610 027 396	Washer {4}	65
9	2 610 968 289	Label "Skil"	9	650	2 610 967 198	Auxiliary Handle Assembly w/pos. 650/1 - 650/4	9
13	2 610 967 219	Bushing	60	650/1	2 610 910 349	Handle	9
31	2 610 967 163	Bearing Block Assembly	38	650/2	2 610 910 325	Clamp	80
32	2 610 967 204	Level	9	650/3	2 610 044 563	Nut	89
33	2 610 967 152	Level Support	9	650/4	2 610 967 194	Bolt	89
35	2 610 992 216	Needle Bearing Assembly	56	747	96500	Chuck Key	91
36	2 610 001 147	Ball Bearing	56	810	2 610 967 197	Brush & Holder Set (set contains 2 ea.)	26
39	2 600 100 627	Shim 0.3mm	65	838	2 610 993 247	Intermediate Gear	31
44	2 610 967 161	Bushing	51	841	2 610 967 169	Spindle w/Gear Assembly w/pos. 44	52
46	2 610 300 961	Keyed Chuck 1/2"	91				
50	2 610 967 175	Cable 135mm	10				
51	2 610 967 176	Cable 165mm	10				
52	2 610 967 177	Cable 140mm	10				

+ = Not Illustrated \* = As Required F/C = Failure Code AW = Refer to AW Labor Time Chart