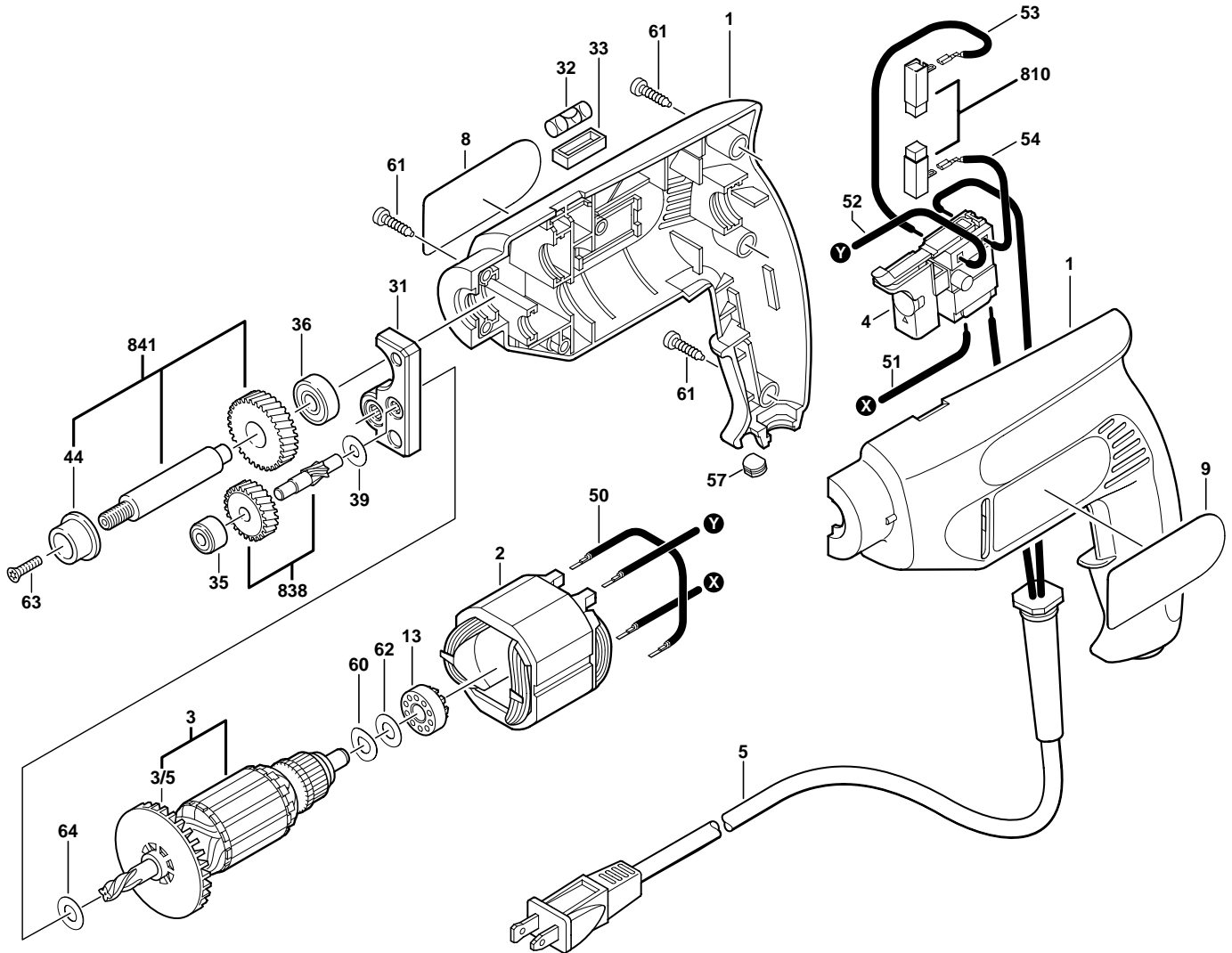




January 2000
CONSUMER

POWER UNIT
Model F012635578

6355:78



Pos.	Part Number	Description {Qty.}	F/C	Pos.	Part Number	Description {Qty.}	F/C
1	2 610 967 150	Housing Assembly	71	50	2 610 967 175	Cable 135mm	10
2	2 610 967 181	Field 120V	22	51	2 610 967 176	Cable 165mm	10
3	2 610 967 173	Armature w/Fan 120V	AW	52	2 610 967 177	Cable 140mm	10
3/5	2 610 910 304	Fan	23	53	2 610 039 904	Cable 130mm	10
4	2 610 967 153	Switch VSR	17	54	2 610 320 494	Cable 50mm	10
5	2 610 967 174	Cord 120V 18/2	11	57	2 610 996 201	Grommet	9
8	2 610 996 402	Nameplate "6355:78"	9	60	2 610 026 126	Spring Washer	65
9	2 610 996 401	Label "Skil"	9	61	2 610 326 578	Screw {7}	89
13	2 610 967 219	Bushing	60	62	2 610 027 396	Washer	65
31	2 610 967 163	Bearing Block Assembly	38	63	2 610 315 587	Reversing Screw	85
32	2 610 967 204	Level	9	64	2 610 029 973	Washer	65
33	2 610 967 152	Level Support	9	810	2 610 967 197	Brush & Holder Set (set contains 2 ea.)	26
35	2 610 992 216	Needle Bearing Assembly	56	838	2 610 993 247	Intermediate Gear	31
36	2 610 001 147	Ball Bearing	56	841	2 610 995 924	Spindle w/Gear Assembly w/pos.44	52
39	2 600 100 627	Shim 0.3mm	65				
44	2 610 967 161	Bushing	51				

+ = Not Illustrated * = As Required F/C = Failure Code AW = Refer to AW Labor Time Chart