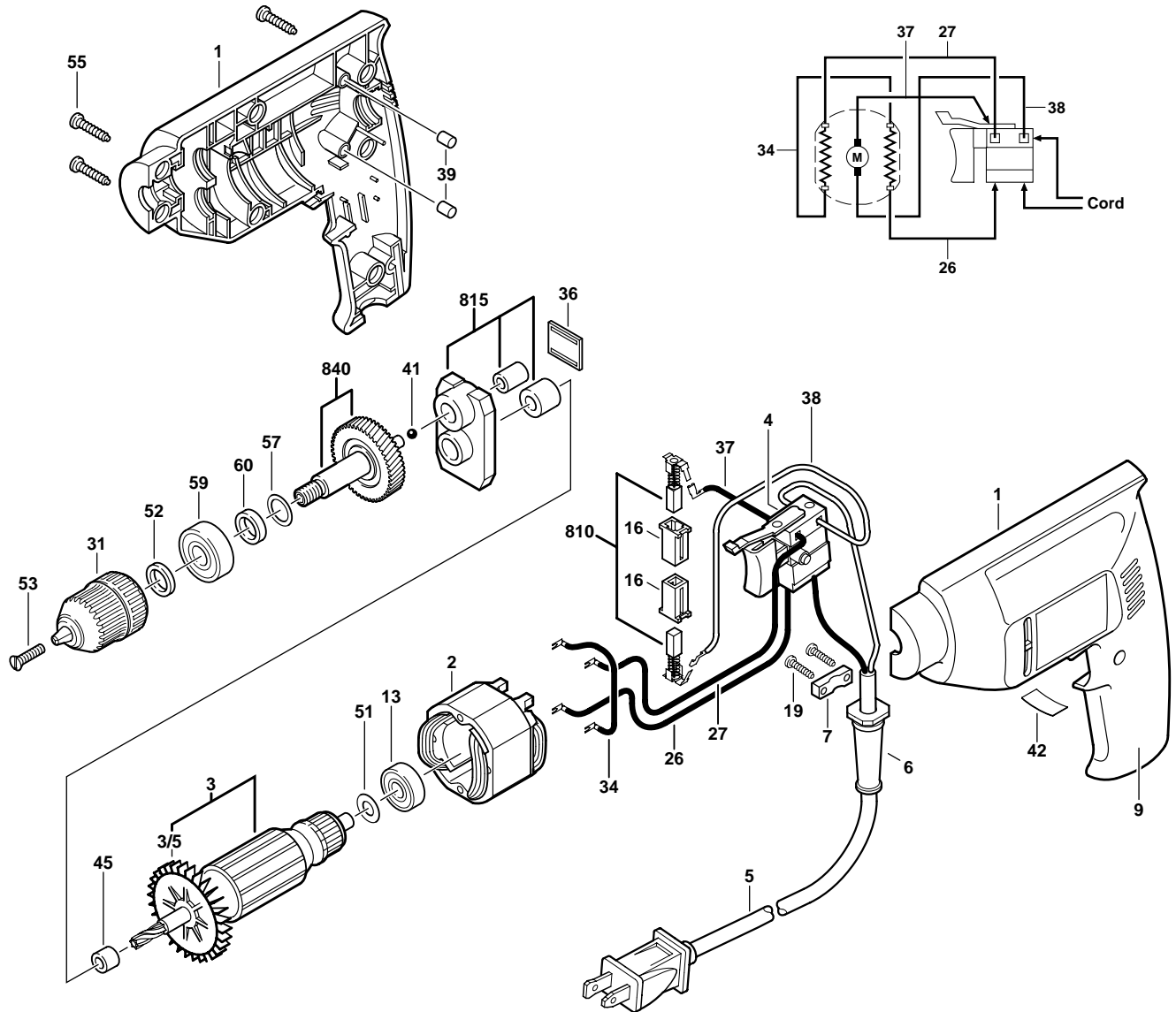




January 1998
CONSUMER

3/8" DRILL
Model 00063354401

6335
type 1



Pos.	Part Number	Description {Qty.}	F/C	Pos.	Part Number	Description {Qty.}	F/C
1	2 610 908 283	Housing Assembly	71	37	2 610 039 904	Cable 130mm	10
2	2 610 315 863	Field 120V	22	38	2 610 320 494	Cable 130mm	10
3	2 610 350 013	Armature w/Fan 120V	AW	39	2 610 028 780	Rubber Plug {2}	9
3/5	2 610 346 332	Fan	23	41	2 610 002 144	Ball	66
4	2 610 346 618	Switch VSR	17	42	2 610 902 145	Label "Fwd/Rev"	9
5	2 610 350 903	Cord 120V 18/2	11	45	2 610 348 065	Bushing	82
5.1	2 610 313 328	Cord (w/molded strain relief)	11	51	2 610 017 016	Washer	65
6	2 610 360 176	Strain Relief	11	52	2 610 017 642	Felt Seal	77
7	2 610 064 973	Cord Clamp	89	53	2 610 068 005	Rev. Screw	85
13	2 610 001 147	Ball Bearing	60	55	2 610 326 578	Screw {7}	89
16	2 610 320 548	Brush Holder {2}	25	57	2 610 313 808	Washer	65
19	2 610 315 386	Screw {2}	89	59	2 610 350 311	Ball Bearing	51
26	2 610 038 675	Cable 160mm	10	60	2 610 350 307	Spacer	82
27	2 610 038 922	Cable 140mm	10	+ 61	2 610 350 308	Belt Clip	9
31	2 610 908 303	3/8" Keyless Chuck	91	810	2 610 321 617	Brush Set	26
34	2 610 038 609	Cable 80mm	10	815	2 610 350 302	Bearing Plate Assembly	38
36	2 610 347 349	Thrust Plate	65	840	2 610 350 305	Spindle 3/8"-24 w/Gear	52

+ = Not Illustrated * = As Required F/C = Failure Code AW = Refer to AW Labor Time Chart