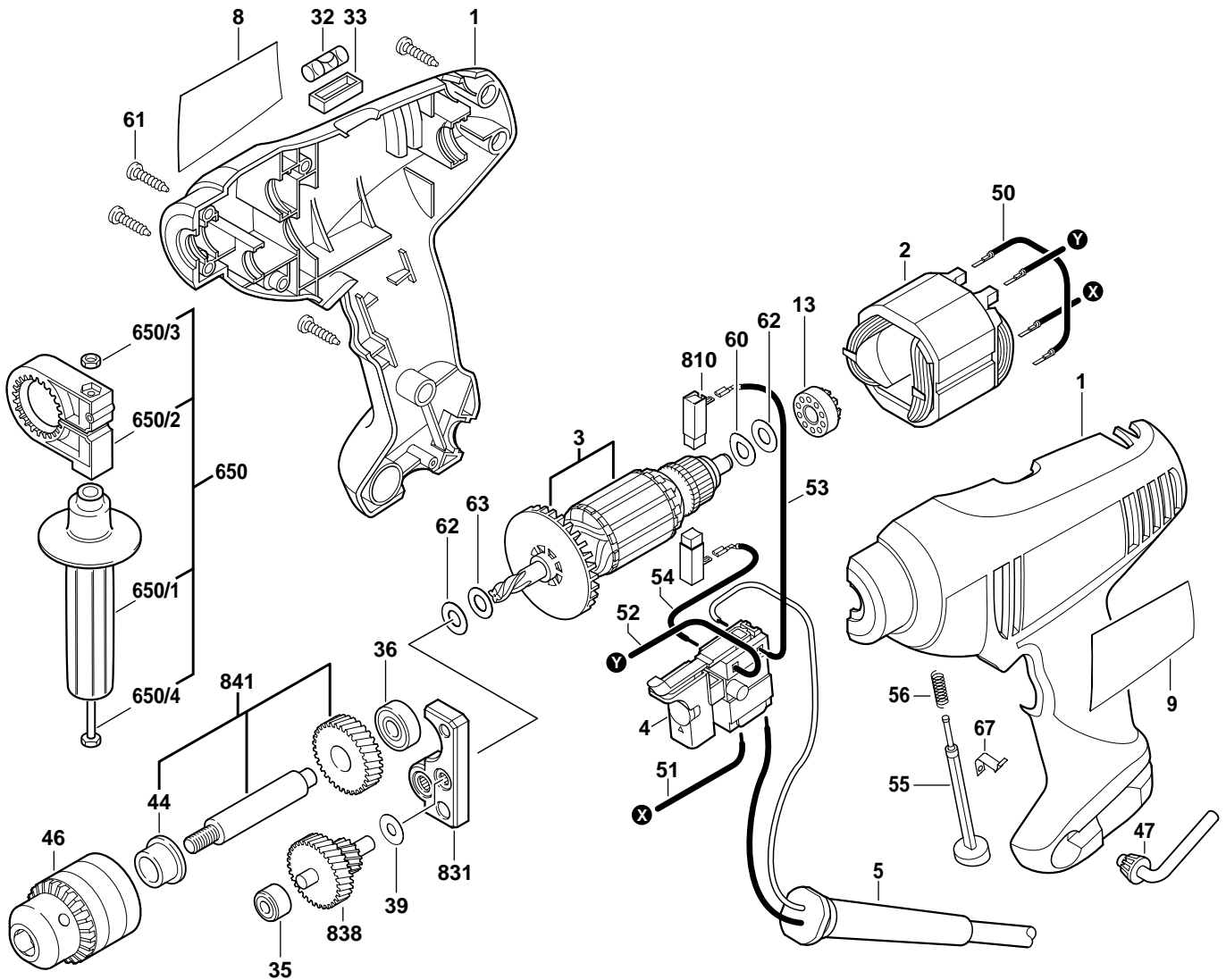


SKIL

October 2001
CONSUMER

1/2" DRILL
Model F012632500

6325



Pos.	Part Number	Description {Qty.}	F/C	Pos.	Part Number	Description {Qty.}	F/C
1	2 610 909 082	Housing Assembly	71	54	2 610 320 494	Cable	10
2	2 610 967 181	Field 120V	22	55	2 610 909 084	Switch Lock	9
3	2 610 967 173	Armature w/Fan 120V	AW	56	2 610 967 239	Spring	27
4	2 610 910 278	Switch VSR	17	60	2 610 026 126	Spring Washer	65
5	2 610 313 328	Cord	11	61	2 610 326 578	Screw {7}	89
8	2 610 912 495	Nameplate	9	62	2 610 027 396	Washer {2}	65
9	2 610 912 496	Label	9	63	2 610 029 973	Washer	65
13	2 610 967 219	Bushing	60	67	2 610 909 083	Clip	9
32	2 610 967 204	Level	9	650	2 610 967 198	Auxiliary Handle Assembly w/pos. 650/1 - 650/4	9
33	2 610 967 205	Level Support	9	650/1	2 610 910 349	Handle	9
35	2 610 992 216	Needle Bearing Assembly	56	650/2	2 610 910 325	Clamp	80
36	2 610 001 147	Ball Bearing	56	650/3	2 610 044 563	Nut	89
39	2 600 100 627	Shim 0.3mm	65	650/4	2 610 967 194	Bolt	89
44	2 610 967 161	Bushing	51	810	2 610 967 197	Brush & Holder Set	26
46	2 610 907 641	Keyed Chuck 1/2"	91	831	2 610 967 163	Bearing Block Assembly	38
47	2 610 304 970	Chuck Key	91	838	2 610 993 247	Intermediate Gear	31
50	2 610 967 175	Cable	10	841	2 610 912 451	Spindle w/Gear Assembly w/pos.44	52
51	2 610 912 416	Cable	10				
52	2 610 912 417	Cable	10				
53	2 610 912 434	Cable	10				

+ = Not Illustrated * = As Required F/C = Failure Code AW = Refer to AW Labor Time Chart

S-B Power Tool Company Chicago IL 60646-5999