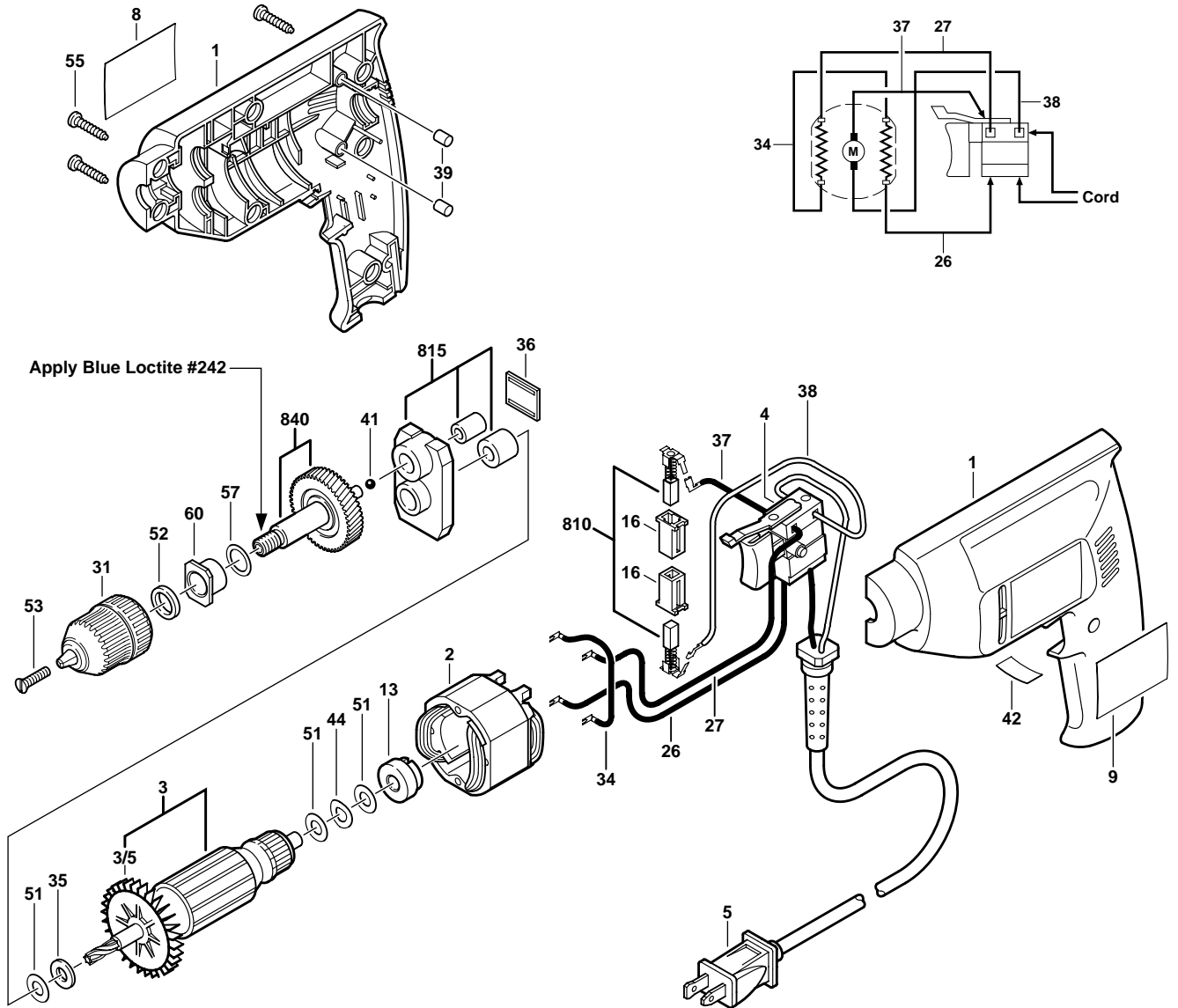




August 1997  
CONSUMER

3/8" DRILL  
Model F012624000

6240  
type 1



| Pos. | Part Number   | Description {Qty.}  | F/C | Pos. | Part Number   | Description {Qty.}     | F/C |
|------|---------------|---------------------|-----|------|---------------|------------------------|-----|
| 1    | 2 610 910 187 | Housing Assembly    | 71  | 37   | 2 610 039 904 | Cable 130mm            | 10  |
| 2    | 2 610 315 863 | Field 120V          | 22  | 38   | 2 610 320 494 | Cable 130mm            | 10  |
| 3    | 2 610 350 131 | Armature w/Fan 120V | AW  | 39   | 2 610 028 780 | Rubber Plug (old) {2}  | 9   |
| 3/5  | 2 610 346 332 | Fan                 | 23  | 41   | 2 610 002 144 | Ball                   | 66  |
| 4    | 2 610 346 618 | Switch VS           | 17  | 42   | 2 610 902 145 | Label "Fwd/Rev"        | 9   |
| 5    | 2 610 313 328 | Cord 120V 18/2      | 11  | 44   | 2 610 026 126 | Spring Washer          | 65  |
| 8    | 2 610 905 826 | Nameplate "6240"    | 9   | 51   | 2 610 027 396 | Washer {3}             | 65  |
| 9    | 2 610 905 825 | Label "Skil"        | 9   | 52   | 2 610 017 642 | Felt Seal              | 77  |
| 13   | 2 610 351 348 | Bushing Assembly    | 60  | 53   | 2 610 068 005 | Rev. Screw (old)       | 85  |
| 16   | 2 610 320 548 | Brush Holder {2}    | 25  | 55   | 2 610 326 578 | Screw {7}              | 89  |
| 26   | 2 610 038 675 | Cable 160mm         | 10  | 57   | 2 610 347 358 | Washer                 | 65  |
| 27   | 2 610 038 922 | Cable 140mm         | 10  | 60   | 2 610 352 019 | Thrust Bearing         | 37  |
| 31   | 2 610 908 303 | 3/8" Keyless Chuck  | 91  | 810  | 2 610 321 617 | Brush Set              | 26  |
| 34   | 2 610 038 609 | Cable 80mm          | 10  | 815  | 2 610 347 363 | Bearing Plate Assembly | 38  |
| 35   | 2 610 346 380 | Washer              | 65  | 840  | 2 610 993 502 | Spindle 3/8"-24 w/Gear | 52  |
| 36   | 2 610 347 349 | Thrust Plate        | 65  |      |               |                        |     |

+ = Not Illustrated \* = As Required F/C = Failure Code AW = Refer to AW Labor Time Chart