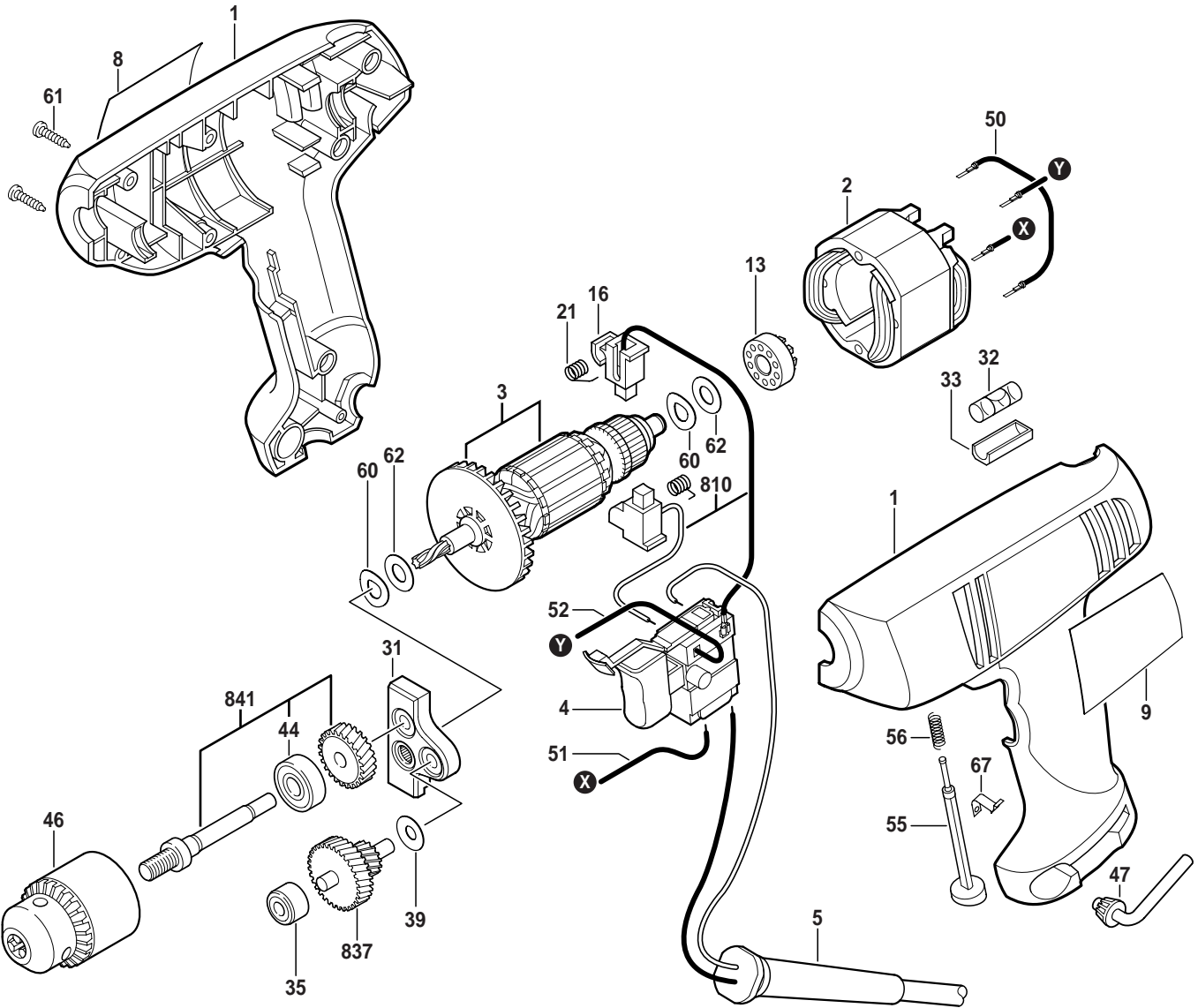




July 2001
CONSUMER

3/8" DRILL
Model F012621000

6210



Pos.	Part Number	Description {Qty.}	F/C	Pos.	Part Number	Description {Qty.}	F/C
1	2 610 909 081	Housing Assembly	71	44	2 610 001 147	Ball Bearing	51
2	2 610 315 863	Field 120V	22	46	2 610 907 640	Keyed Chuck 3/8"	91
3	2 610 994 880	Armature w/Fan 120V	AW	47	2 610 315 835	Chuck Key	91
4	2 610 913 361	Switch VSR	17	50	2 610 038 609	Cable	10
5	2 610 313 328	Cord	11	51	2 610 912 415	Cable	10
8	2 610 912 489	Nameplate	9	52	2 610 912 414	Cable	10
9	2 610 912 490	Label	9	55	2 610 910 285	Switch Lock	9
13	2 610 967 219	Bushing	60	56	2 610 967 239	Spring	27
16	2 610 967 207	Brush Holder {2}	25	60	2 610 026 126	Spring Washer {2}	65
21	2 610 353 928	Brush Spring {2}	27	61	2 610 967 230	Screw {7}	89
31	2 610 967 211	Bearing Block Assembly	38	62	2 610 027 396	Washer {2}	65
32	2 610 967 204	Level	9	67	2 610 909 083	Clip	9
33	2 610 967 205	Level Support	9	810	2 610 912 446	Brush w/Cable Set	26
35	2 610 967 222	Bushing	51	837	2 610 994 881	Intermediate Gear	31
39	2 600 100 627	Shim 0.3mm	65	841	2 610 912 447	Spindle w/Gear Assembly	52

+ = Not Illustrated * = As Required F/C = Failure Code AW = Refer to AW Labor Time Chart