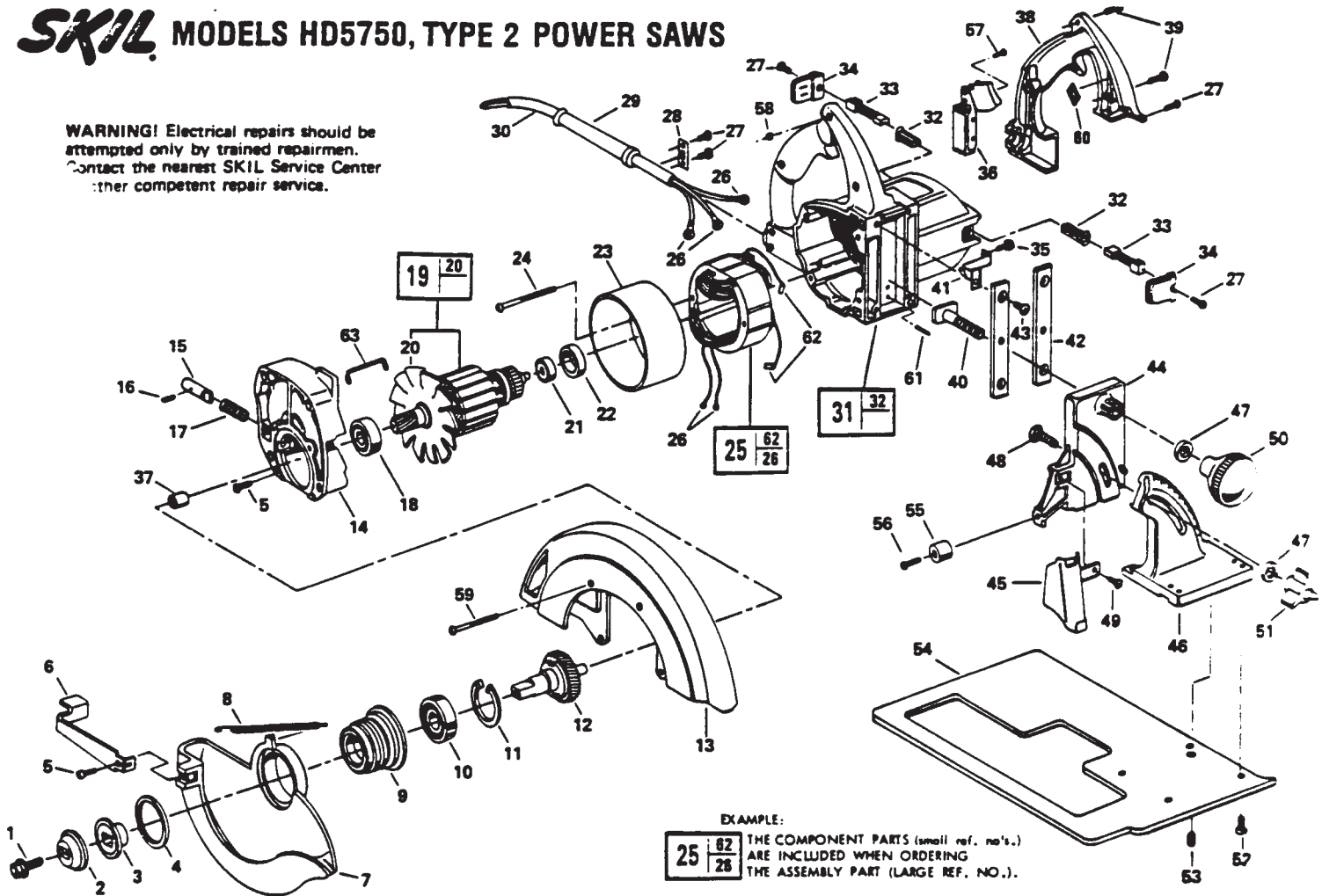


# SKIL MODELS HD5750, TYPE 2 POWER SAWS

**WARNING!** Electrical repairs should be attempted only by trained repairmen. Contact the nearest SKIL Service Center or other competent repair service.



EXAMPLE:

**25**  $\frac{82}{28}$  THE COMPONENT PARTS (small ref. no's.) ARE INCLUDED WHEN ORDERING THE ASSEMBLY PART (LARGE REF. NO.).

REF. NO.	PART NAME	PART NO.	REF. NO.	PART NAME	PART NO.	REF. NO.	PART NAME	PART NO.
1	SAW STUD	326084	25	FIELD	357056	49	SCREW	323540
2	OUTER WASHER	326091	26	TERMINAL (5)	316596	50	KNOB	326017
3	INNER WASHER	326092	27	SCREW (5)	315299	51	KNOB	326018
4	RETAINER RING	326001	28	CORD CLAMP	320492	52	SCREW (4)	327528
5	SCREW (5)	341365	29	CORD GUARD	5970	53	SET SCREW	326107
6	LIFT LEVER	326002	30	CORD	326003	54	FOOT	326000
7	LOWER GUARD	*	31	MOTOR HOUSING	905335	55	BUMPER	29568
8	SPRING	355552	32	BRUSH HOLDER (2)	357062	56	SCREW	348083
9	HUB	415500	33	BRUSH & SPRING (2)	326083	57	SCREW	346204
10	BEARING	9030	34	BRUSH CAP (2)	326036	58	NUT (6)	352351
11	★ SNAP RING	325747	35	SCREW (GROUND) (2)	320173	59	SCREW (4)	348085
12	GEAR & SHAFT ASSY	326004	36	SWITCH	321606	60	● DUST SEAL	347480
13	UPPER GUARD	*	37	BEARING	11012	61	▲ ROLL PIN	326011
14	GEAR HOUSING	326048	38	● HANDLE COVER	905314	62	TERMINAL (2)	68648
15	LOCK PIN	326013	39	SCREW (6)	348084	63	GROUND STRAP	321435
16	ROLL PIN	18273	40	T-BOLT	326008			
17	SPRING	18274	41	GROUND BRACKET	326016			
18	BEARING	15361	42	GUIDE BAR (2)	326081			
19	ARMATURE	326040	43	SCREW (4)	326028			
20	FAN	20619	44	ELEVATING BRACKET	326034			
21	BEARING	17348	45	● AUXILIARY GUARD	350688			
22	SLEEVE	326023	46	PIVOT BRACKET	415513			
23	BAFFLE	328484	47	FLAT WASHER (2)	326090			
24	SCREW (2)	348082	48	HEX HD BOLT	15253			

**SPECIAL NOTES**

- ▲ FOR MODELS HD5750 & 5750 INSTALL No. 326011 PIN (REF. #61) IN UPPER HOLE ON MOTOR HOUSING (REF. #31) MARKED No. 7.
- FOR MODEL 5765 INSTALL No. 326011 PIN IN LOWER HOLE MARKED WITH No. 8 & 10.
- FOR MODELS HD5750 & 5750 INSTALL No. 350688 AUX. GRD. ON BACK SIDE OF ELEVATING BRACKET.
- FOR MODEL 5765 INSTALL No. 350688 AUX. GRD. ON FRONT OF ELEVATING BRACKET.

\* SEE TABLE "A"

★ INSTALL 325747 SNAP RING WITH BOWED SIDE TOWARD BLADE.

● IMPORTANT: WHEN REPLACING No. 905314 HANDLE COVER ALSO ORDER AND INSTALL No. 347480 DUST SEAL

TABLE "A"

REF. NO.	PART NAME	HD5750 T2 & 5750 T2	5765 T2
7	LOWER GUARD	326053	326060
13	UPPER GUARD	326065	326069