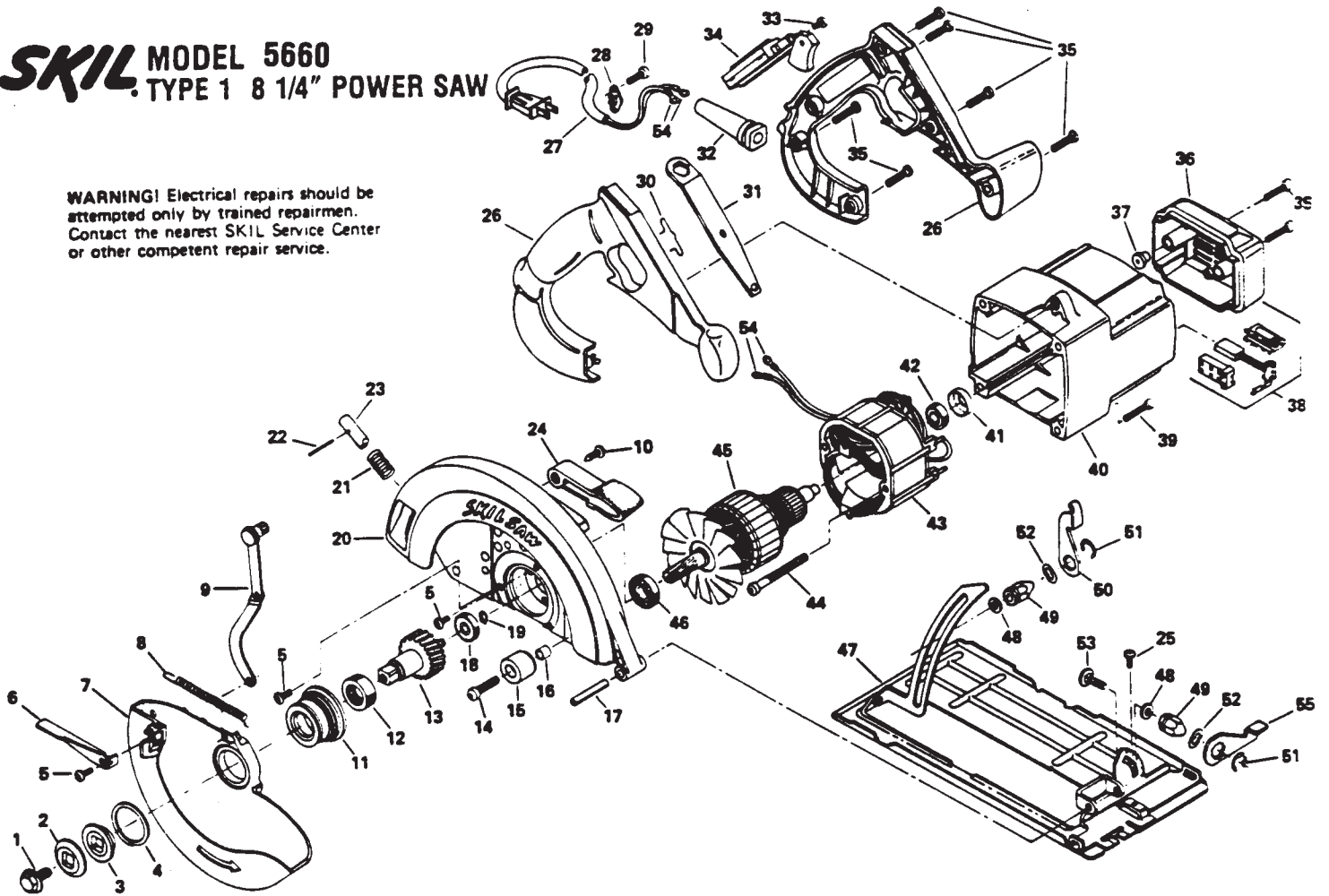


# SKIL MODEL 5660 TYPE 1 8 1/4" POWER SAW

**WARNING!** Electrical repairs should be attempted only by trained repairmen. Contact the nearest SKIL Service Center or other competent repair service.



REF. NO.	PART NO.	PART NAME	REF. NO.	PART NO.	PART NAME
1	353049	SHAFT BOLT	29	326578	SCREW (2)
2	355550	OUTER WASHER	30	350663	CLIP SPRING
3	350668	INNER WASHER	31	350664	WRENCH
4	341359	RETAINER	32	313327	CORD GUARD
5	351195	SCREW (7)	33	350692	SCREW
6	341363	LIFT LEVER	34	321608	SWITCH
7	350729	LOWER GUARD ASSY.	35	341364	SCREW (8)
8	351246	RETURN SPRING	36	905311	END CAP
9	354607	SWIVEL ARM ASSY.	37	350655	BUMPER (2)
10	354611	SCREW	38	352737	BRUSH & HOLDER SET (2)
11	350679	BEARING PLATE	39	341335	SCREW (4)
12	353027	BEARING	40	905307	MOTOR HOUSING
13	350657	GEAR & SHAFT ASSY.	41	326023	SLEEVE
14	347100	SCREW	42	17348	BEARING
15	341394	STOP	43	351836	FIELD
16	341366	SPACER	44	352806	SCREW (2)
17	341332	ROLL PIN	45	350734	ARMATURE
18	10409	BEARING	46	341331	BEARING
19	350683	RETAINER	47	350691	FOOT ASSEMBLY
20	350720	FRONT HOUSING ASSY.	48	351293	WASHER (2)
21	350667	SPRING	49	351285	NUT (2)
22	20656	ROLL PIN	50	350665	LEVER (2)
23	351295	LOCK PIN	51	341354	RETAINER (2)
24	905334	AUXILIARY HANDLE	52	69183	LOAD WASHER (2)
25	350698	SCREW	53	17262	CARRAGE BOLT
26	902880	L & R HANDLE SET	54	316596	TERMINAL (4)
27	351286	CORD & CAP	55	353798	LEVER
28	364033	CORD CLAMP			