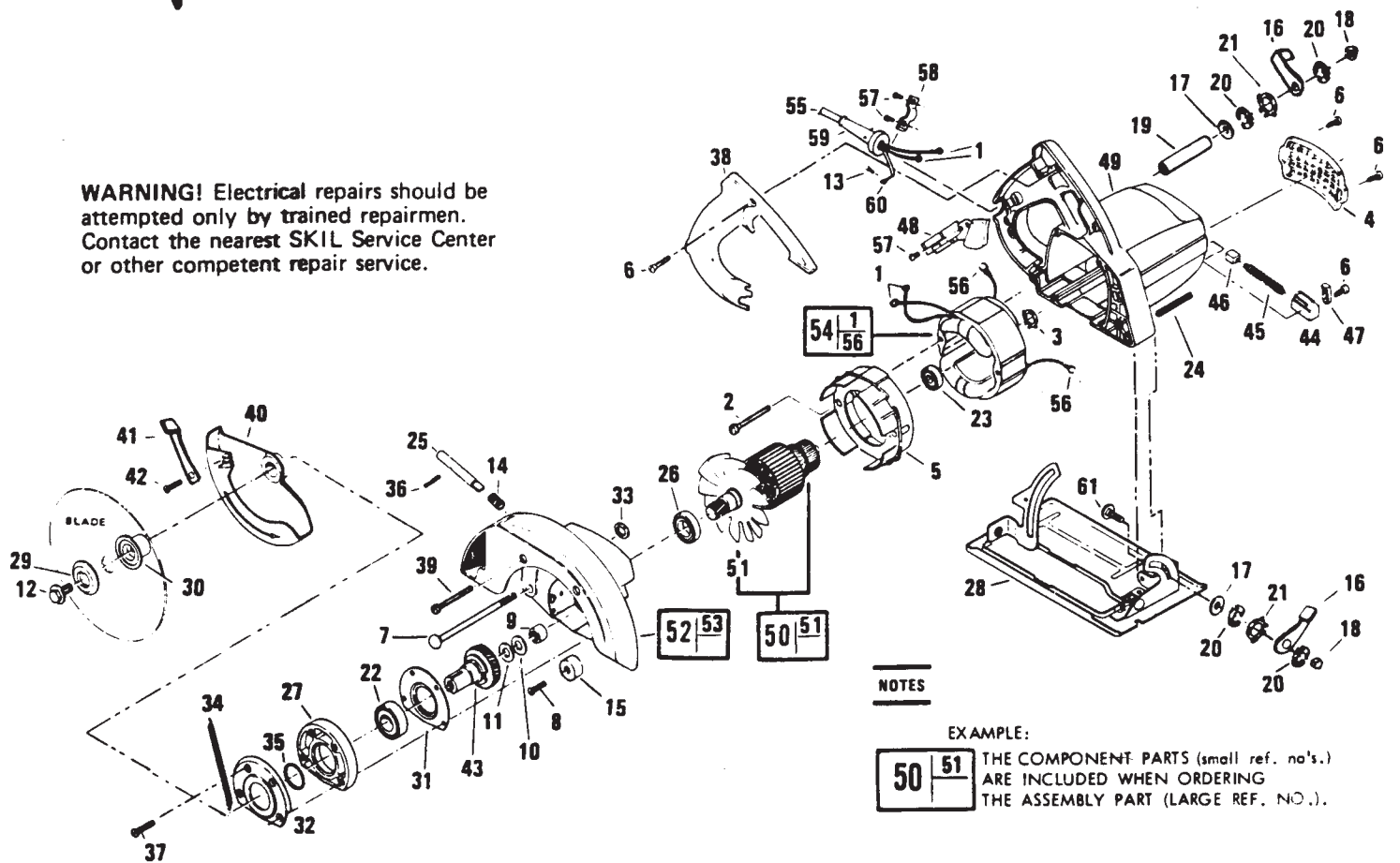


SKILSAW® MODEL 5625 TYPE 2 HEAVY DUTY CIRCULAR SAW

WARNING! Electrical repairs should be attempted only by trained repairmen. Contact the nearest SKIL Service Center or other competent repair service.



NOTES

EXAMPLE:

50 **51** THE COMPONENT PARTS (small ref. no's.) ARE INCLUDED WHEN ORDERING THE ASSEMBLY PART (LARGE REF. NO.).

REF. NO.	PART NO.	PART NAME	REF. NO.	PART NO.	PART NAME	REF. NO.	PART NO.	PART NAME
1	63	TERMINAL (4)	22	314429	BALL BEARING	42	317758	SCREW
2	314770	SCREW (2)	23	10409	BALL BEARING	43	327523	SAW SHAFT
3	4459	SPRING WASHER	24	20256	ROLL PIN	44	325968	BRUSH HOLDER (2)
4	301128	COVER	25	20262	LOCK PIN	45	302975	SPRING (2)
5	326010	BAFFLE	26	15361	BALL BEARING	46	326173	BRUSH (2)
6	321337	SCREW (8)	27	354801	BEARING PLATE	47	43944	RETAINER (2)
7	312583	CARRIAGE BOLT	28	354815	FOOT	48	321608	SWITCH
8	309976	SCREW	29	354804	OUTER WASHER	49	319350	MOTOR HOUSING
9	11012	NEEDLE BEARING	30	354805	INNER WASHER	50	327517	ARMATURE (120V)
10	11277	WASHER	31	20645	RETAINER PLATE	51	20619	FAN
11	11831	FLAT WASHER	32	20646	GUARD PLATE	52	327520	FRONT HOUSING ASSY
12	16657	SAW BLADE STUD	33	319379	SPACER	53	22719	SPRING STUD
13	315146	GROUND SCREW	34	20654	SPRING	54	321942	FIELD (120V)
14	18274	SPRING	35	20655	SNAP RING	55	313476	CORD & PLUG
15	29568	STOP	36	20656	ROLL PIN	56	70913	TERMINAL (2)
16	353798	LEVER (2)	37	20663	SCREW (4)	57	315299	SCREW (3)
17	351293	WASHER (2)	38	319352	HANDLE COVER	58	64973	CORD CLAMP
18	351285	ACORN NUT (2)	39	315147	SCREW (4)	59	68009	CORD GUARD
19	319373	SPACER	40	354806	LOWER GUARD	60	316596	TERMINAL (GROUND)
20	341354	SNAP RING (4)	41	319376	LIFT LEVER	61	17262	CARRIAGE BOLT
21	69183	LOADING SPRING (2)						

SPECIAL NOTES: