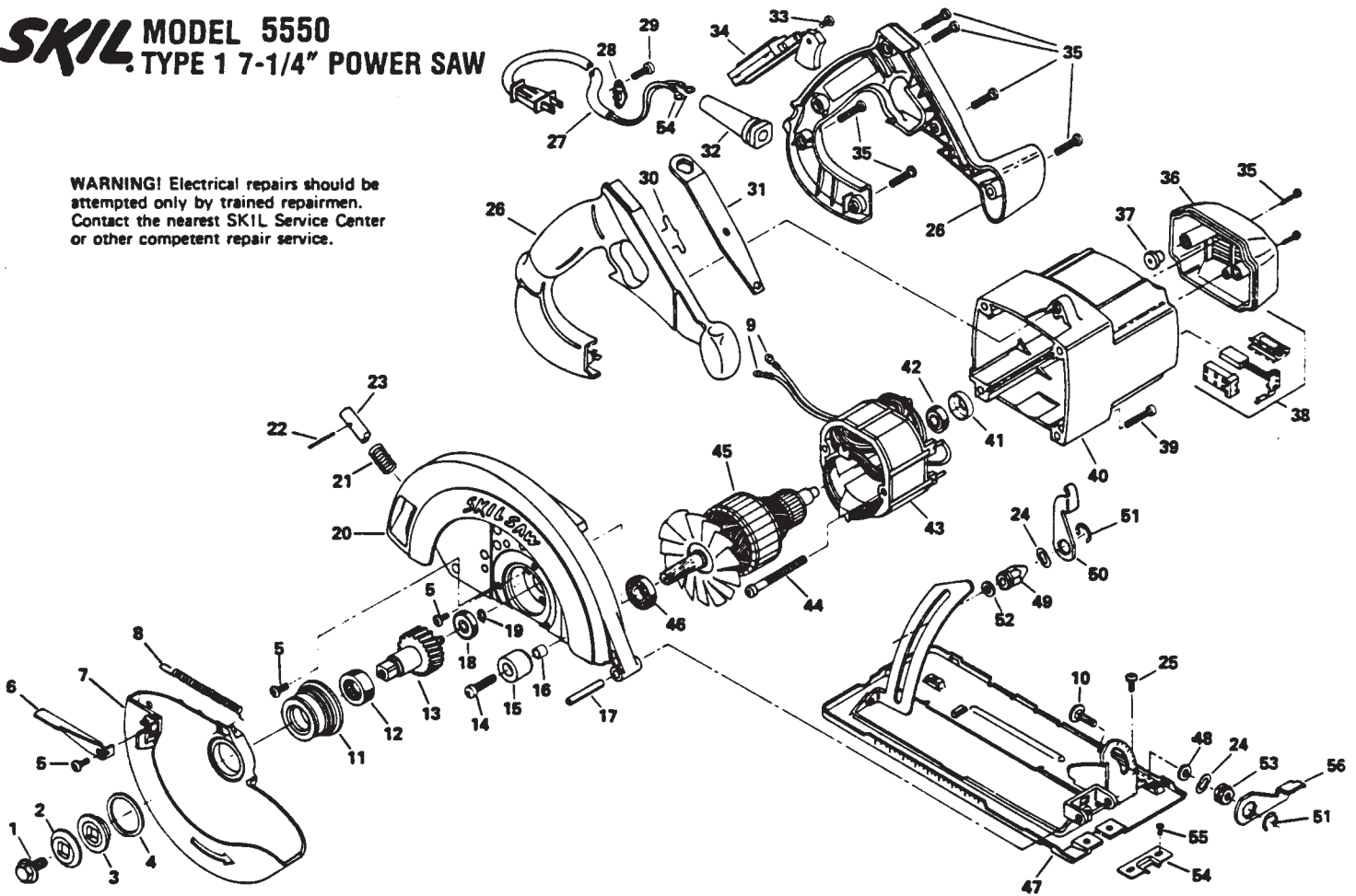


# SKIL MODEL 5550 TYPE 1 7-1/4" POWER SAW

**WARNING!** Electrical repairs should be attempted only by trained repairmen. Contact the nearest SKIL Service Center or other competent repair service.



REF. NO.	PART NO.	PART NAME
1	346554	SHAFT BOLT
2	355550	OUTER WASHER
3	350668	INNER WASHER
4	341359	RETAINER
5	341365	SCREW (7)
6	341363	LIFT LEVER
7	341268	LOWER GUARD ASSY
8	347486	RETURN SPRING
9	316596	TERMINAL (2)
10	26732	CARRAGE BOLT
11	350679	BEARING PLATE
12	353027	BEARING
13	355586	GEAR & SHAFT ASSY.
14	347100	SCREW
15	341394	STOP
16	341366	SPACER
17	341332	ROLL PIN
18	10409	BEARING
19	350683	RETAINER
20	355592	FRONT HOUSING ASSY.
21	350667	SPRING
22	20656	ROLL PIN
23	351295	LOCK PIN
24	69183	LOAD WASHER (2)
25	347488	SCREW
26	902880	HANDLE SET
27	355590	CORD & CAP
28	364033	CORD CLAMP

REF. NO.	PART NO.	PART NAME
29	326578	SCREW (2)
30	350663	CLIP SPRING
31	351201	WRENCH
32	313327	CORD GUARD
33	350692	SCREW
34	321608	SWITCH
35	341364	SCREW (8)
36	905306	END CAP
37	354653	BUMPER (2)
38	355594	BRUSH & HOLDER SET (2)
39	341335	SCREW (4)
40	905307	MOTOR HOUSING
41	326023	SLEEVE
42	17348	BEARING
43	329864	FIELD ASSEMBLY
44	347104	SCREW (2)
45	355589	ARMATURE
46	341331	BEARING
47	355582	FOOT ASSEMBLY
48	351293	WASHER
49	351285	NUT
50	350665	LEVER
51	341354	RETAINER (2)
52	68556	WASHER
53	341353	NUT
54	95102	ADJ. LINE GUIDE
55	302102	SCREW (2)
56	341352	LEVER