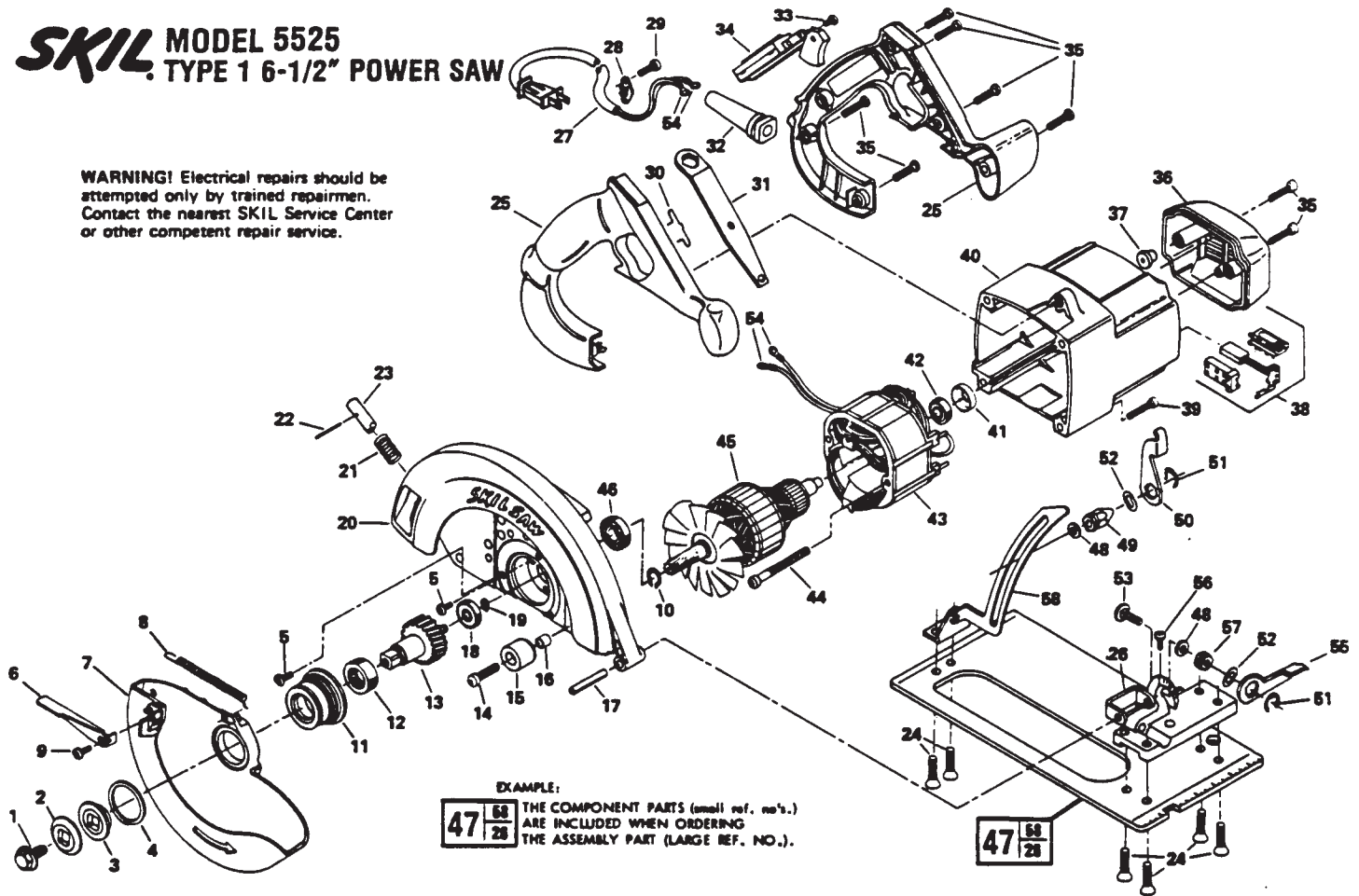


SKIL MODEL 5525 TYPE 1 6-1/2" POWER SAW

WARNING! Electrical repairs should be attempted only by trained repairmen. Contact the nearest SKIL Service Center or other competent repair service.



EXAMPLE:

47	68	28
----	----	----

 THE COMPONENT PARTS (small ref. no's.)
 ARE INCLUDED WHEN ORDERING
 THE ASSEMBLY PART (LARGE REF. NO.).

47 68 28

REF. NO.	PART NO.	PART NAME
1	346554	SHAFT BOLT
2	355550	OUTER WASHER
3	350668	INNER WASHER
4	341359	RETAINER
5	341365	SCREW (6)
6	341363	LIFT LEVER
7	341264	LOWER GUARD ASSY
8	346556	RETURN SPRING
9	328924	SCREW
10	25684	SNAP RING
11	350679	BEARING PLATE
12	353027	BEARING
13	355586	GEAR & SHAFT ASSY
14	347100	SCREW
15	341394	STOP
16	341366	SPACER
17	352129	ROLL PIN
18	10409	BEARING
19	350683	RETAINER
20	902904	FRONT HOUSING ASSY
21	350667	SPRING
22	20656	ROLL PIN
23	351295	LOCK PIN
24	352119	SCREW (6)
25	902880	HANDLE SET
26	901950	FRONT QUADRANT ASSY
27	355590	CORD & CAP
28	364033	CORD CLAMP
29	326578	SCREW (2)
30	350663	CLIP SPRING

REF. NO.	PART NO.	PART NAME
31	351201	WRENCH
32	313327	CORD GUARD
33	350692	SCREW
34	321608	SWITCH
35	341364	SCREW (8)
36	905306	END CAP
37	354653	BUMPER (2)
38	355594	BRUSH & HOLDER SET
39	341335	SCREW (4)
40	905307	MOTOR HOUSING
41	326023	SLEEVE
42	17348	BEARING
43	329864	FIELD
44	347104	SCREW (2)
45	355589	ARMATURE
46	350311	BEARING
47	902901	FOOT ASSEMBLY
48	351293	WASHER (2)
49	351285	NUT
50	352097	LEVER
51	341354	RETAINER (2)
52	69183	LOAD WASHER (2)
53	352107	CARRIAGE BOLT
54	316596	TERMINAL (4)
55	341352	LEVER
56	350698	SCREW
57	341353	NUT
58	903170	DEPTH BRACKET ASSY