

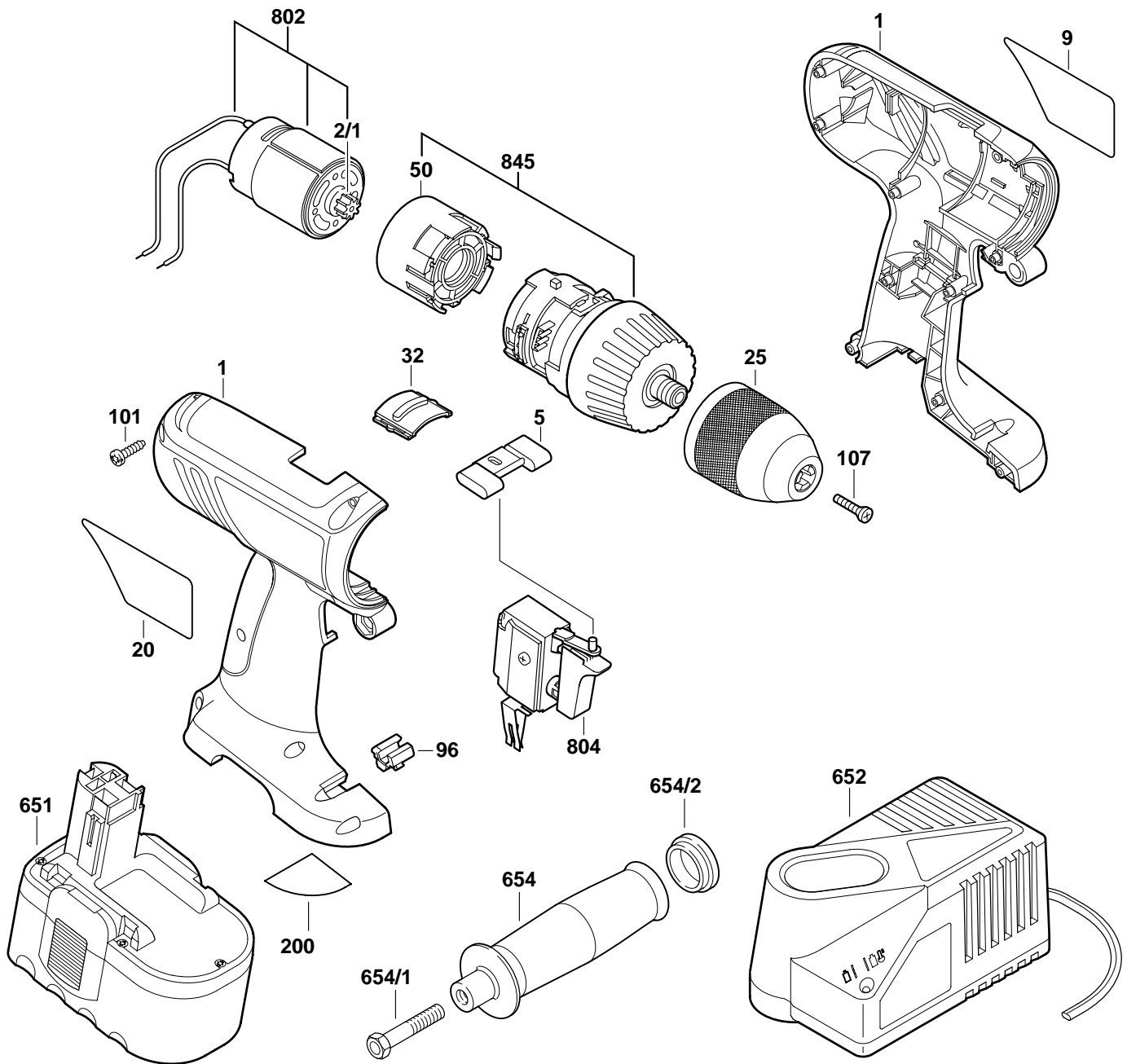
BOSCH

October 2001
INDUSTRIAL

18V DRILL / DRIVER

Model 0601952360

3870



Pos.	Part Number	Description {Qty.}	F/C	Pos.	Part Number	Description {Qty.}	F/C
1	2 605 104 677	Housing Assembly	71	200	2 601 116 016	Nameplate	9
2/1	2 606 316 188	Pinion Gear	33	651	2 610 907 652	Battery 18V	18
5	2 601 099 085	Switch Select Lever	9	652	2 607 224 431	Multi-Volt Charger	18
9	2 610 998 401	Label	9	654	2 602 025 108	Auxiliary Handle	9
20	2 601 116 015	Label	9	654/1	2 911 061 207	Bolt	89
25	2 608 572 175	1/2" Keyless Chuck	91	654/2	2 610 998 827	Cap	9
32	2 601 099 086	Gear Select Lever	63	802	2 607 022 873	Motor Assembly w/pos. 2/1	19
50	2 607 034 127	Mounting Flange	38	804	2 607 200 413	Switch VSR	17
96	2 608 040 131	Bit Holder	9	845	2 606 200 927	Drive Assembly w/pos. 50	40
101	2 914 201 668	Screw {9}	89				
107	2 603 421 008	Reverse Screw	85				

+ = Not Illustrated * = As Required F/C = Failure Code AW = Refer to AW Labor Time Chart