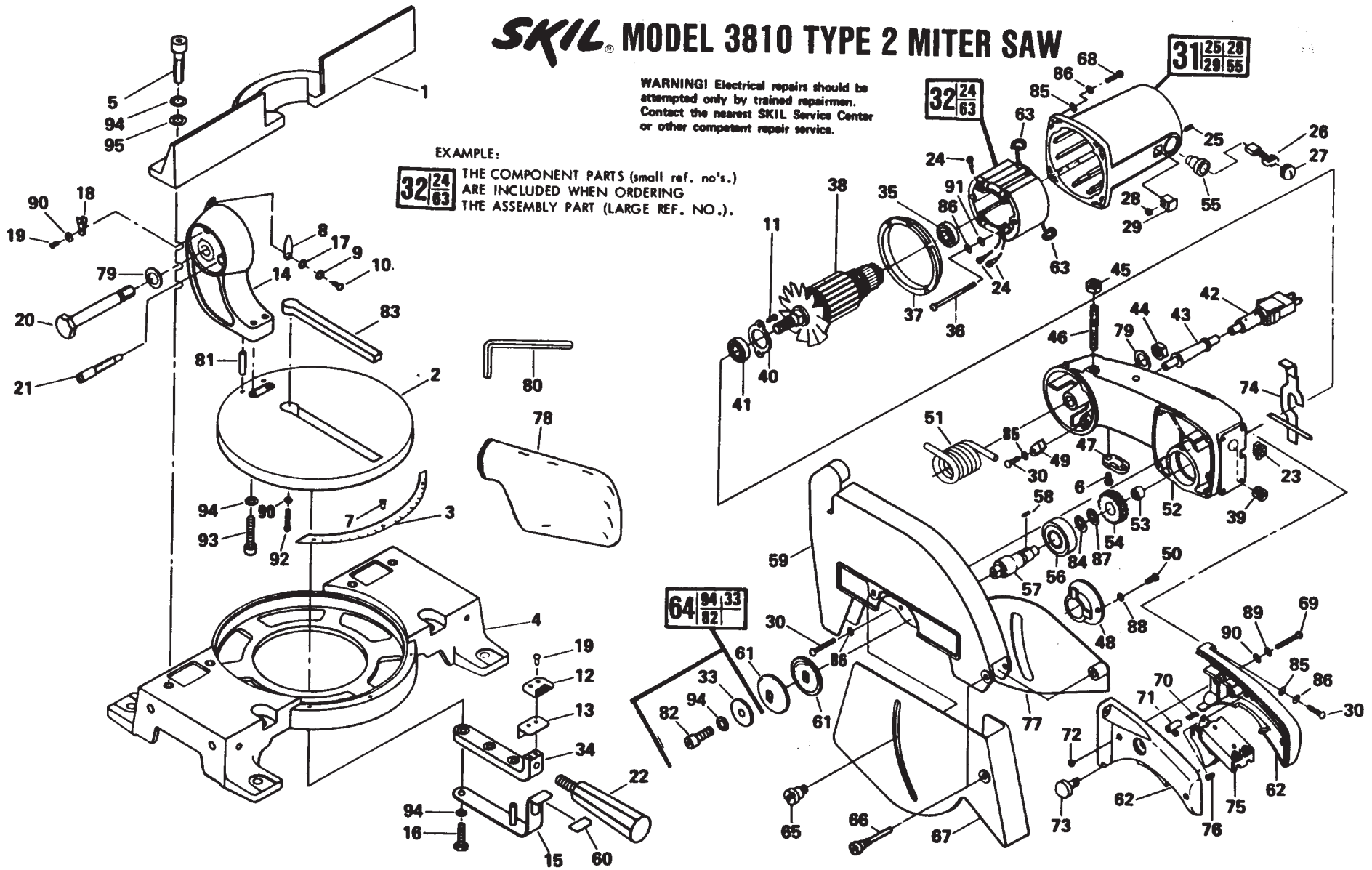


SKIL MODEL 3810 TYPE 2 MITER SAW

WARNING! Electrical repairs should be attempted only by trained repairmen. Contact the nearest SKIL Service Center or other competent repair service.

EXAMPLE:

32²⁴/₆₃ THE COMPONENT PARTS (small ref. no.'s.) ARE INCLUDED WHEN ORDERING THE ASSEMBLY PART (LARGE REF. NO.).



REF. NO.	PART NO.	PART NAME	REF. NO.	PART NO.	PART NAME	REF. NO.	PART NO.	PART NAME
1	356400	FENCE	33	351115	FLAT WASHER	65	351147	BOLT
2	356401	BASE PLATE	34	356405	LOWER ARM	66	351148	BOLT
3	356402	PROTRACTOR	35	42699	BALL BEARING	67	351146	FRONT LOWER GUARD
4	356403	BASE	36	351111	SCREW (2)	68	351150	SCREW (4)
5	356436	SCREW (4)	37	351113	FAN BAFFLE	69	351149	SCREW (3)
6	351129	SCREW (2)	38	356406	ARMATURE ASSEMBLY	70	351151	SPRING
7	24791	DRIVE SCREW (3)	39	351126	WIRE GUARD	71	351152	LOCK OFF PIN
8	351164	STOP PLATE	40	351116	BEARING RETAINER	72	351153	HEX NUT (2)
9	351163	LOCK WASHER	41	15361	BALL BEARING	73	351154	LOCK BUTTON
10	351162	ROUND HD SCREW	42	351118	CORD & PLUG	74	351121	SPINDLE LOCK
11	351100	SCREW (2)	43	351119	CORD GUARD	75	351190	SWITCH
12	356409	INDICATION PLATE	44	351120	HEX NUT	76	351157	SCREW (2)
13	356410	PLATE	45	351122	HEX NUT	77	351144	REAR LOWER GUARD
14	356404	SUPPORT ARM	46	351123	SET SCREW	78	356424	DUST BAG ASSEM.
15	356411	SPRING PLATE	47	351127	CORD CLAMP	79	351142	WASHER (2)
16	356435	HEX SCREW	48	351145	LOWER GUARD GUIDE	80	351173	HEX KEY WRENCH
17	356431	WAVE WASHER	49	351131	CUSHION	81	356432	PIN (2)
18	351166	LOWER GUARD CLIP	50	351185	SCREW (2)	82	351143	HEX SOCKET HD SCREW
19	351167	SCREW (3)	51	351133	TORSION SPRING	83	356423	KERF PLATE
20	351168	HEX BOLT	52	351124	GEAR HOUSING	84	356422	FLAT WASHER (1)
21	351169	SET SCREW	53	351134	NEEDLE BEARING	85	356416	FLAT WASHER (9)
22	356415	HANDLE	54	356413	GEAR	86	356417	LOCK WASHER (13)
23	351125	WIRE GUARD	55	351103	BRUSH HOLDER (2)	87	356421	RETAINING RING
24	316596	TERMINAL (4)	56	351136	BALL BEARING	88	356427	LOCK WASHER (2)
25	356437	SET SCREW (2)	57	351138	SPINDLE	89	356428	FLAT WASHER (2)
26	351104	BRUSH & SPRING (2)	58	351173	KEY	90	356429	LOCK WASHER (3)
27	351105	BRUSH HOLDER CAP (2)	59	356408	UPPER GUARD	91	356419	INNER TOOTH WASHER (2)
28	351107	HEX NUT (2)	60	351176	PLATE COVER	92	356434	SCREW
29	351106	NUT HOUSING (2)	61	351141	BLADE WASHER (2)	93	356433	HEX SOCKET HD SCREW (2)
30	351109	SCREW (8)	62	351155	HANDLE SET	94	351184	LOCK WASHER (7)
31	352861	MOTOR HOUSING ASSY	63	351186	BRUSH TERMINAL SPRING (2)	95	356430	FLAT WASHER (4)
32	356412	FIELD ASSEMBLY	64	356414	ARBOR BOLT ASSY			

SKIL CORPORATION • SUBSIDIARY OF EMERSON ELECTRIC CO.
4300 W. PETERSON AVENUE • CHICAGO, IL 60646

F-355964 12/90
PRINTED IN U.S.A.