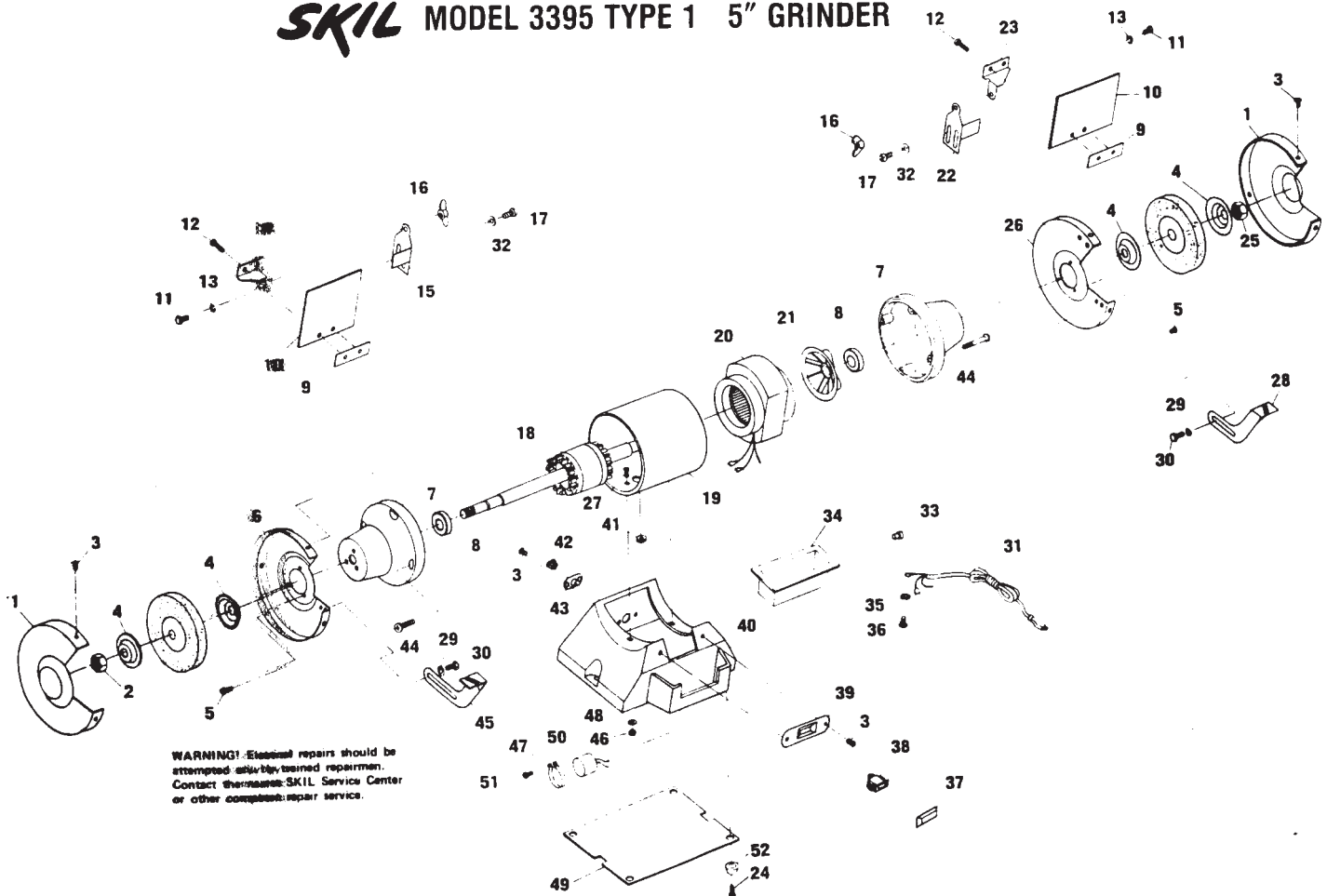


SKIL MODEL 3395 TYPE 1 5" GRINDER



WARNING! Electrical repairs should be attempted only by trained repairmen. Contact the nearest SKIL Service Center or other competent repair service.

ITEM #	PART #	DESCRIPTION	ITEM #	PART #	DESCRIPTION
1	901655	WHEEL GUARD COVER	28	901662	TOOL REST (R)
2	902408	WHEEL NUT (L.H.)	29	901664	FLAT WASHER (4)
3	358994	SCREW (10)	30	901663	HEX BOLT (4)
4	901656	FLANGE	31	902400	POWER CORD
5	358995	SCREW (6)	32	901675	FLAT WASHER (4)
6	901659	WHEEL GUARD (L)	33	304943	CONNECTOR (3)
7	901660	MOTOR END COVER	34	901680	QUENCH TRAY
8	902402	BALL BEARING	35	355269	LOCKWASHER
9	901670	BACKING PLATE	36	358994	SCREW
10	901671	EYE SHIELD	37	358971	DUST COVER
11	306005	SCREW	38	5296354	SWITCH
12	901673	SCREW (4)	39	901654	SWITCH PLATE
13	355304	LOCKWASHER	40	901650	BASE
14	901679	SHIELD RETAINER (L)	41	902406	GROMMET
15	901678	SPARK SHIELD (L)	42	68489	STRAIN RELIEF
16	5292012	WING NUT	43	358974	RETAINING PLATE
17	901676	SCREW	44	901665	SCREW (8)
18	901666	ROTOR ASSEMBLY	45	901661	TOOL REST (L)
19	901667	MOTOR HOUSING	46	11489	NUT (2)
20	901668	STATOR ASSEMBLY	47	901652	CLAMP
21	358993	FAN	48	305957	LOCKWASHER (2)
22	901674	SPARK SHIELD (R)	49	901651	BASE PLATE
23	901672	SHIELD RETAINER (R)	50	901653	CAPACITOR
24	358999	SCREW (4)	51	358994	SCREW
25	902407	HEX NUT (R.H.)	52	358998	RUBBER FOOT (4)
26	901669	WHEEL GUARD (R)			
27	902413	SCREW (2)			