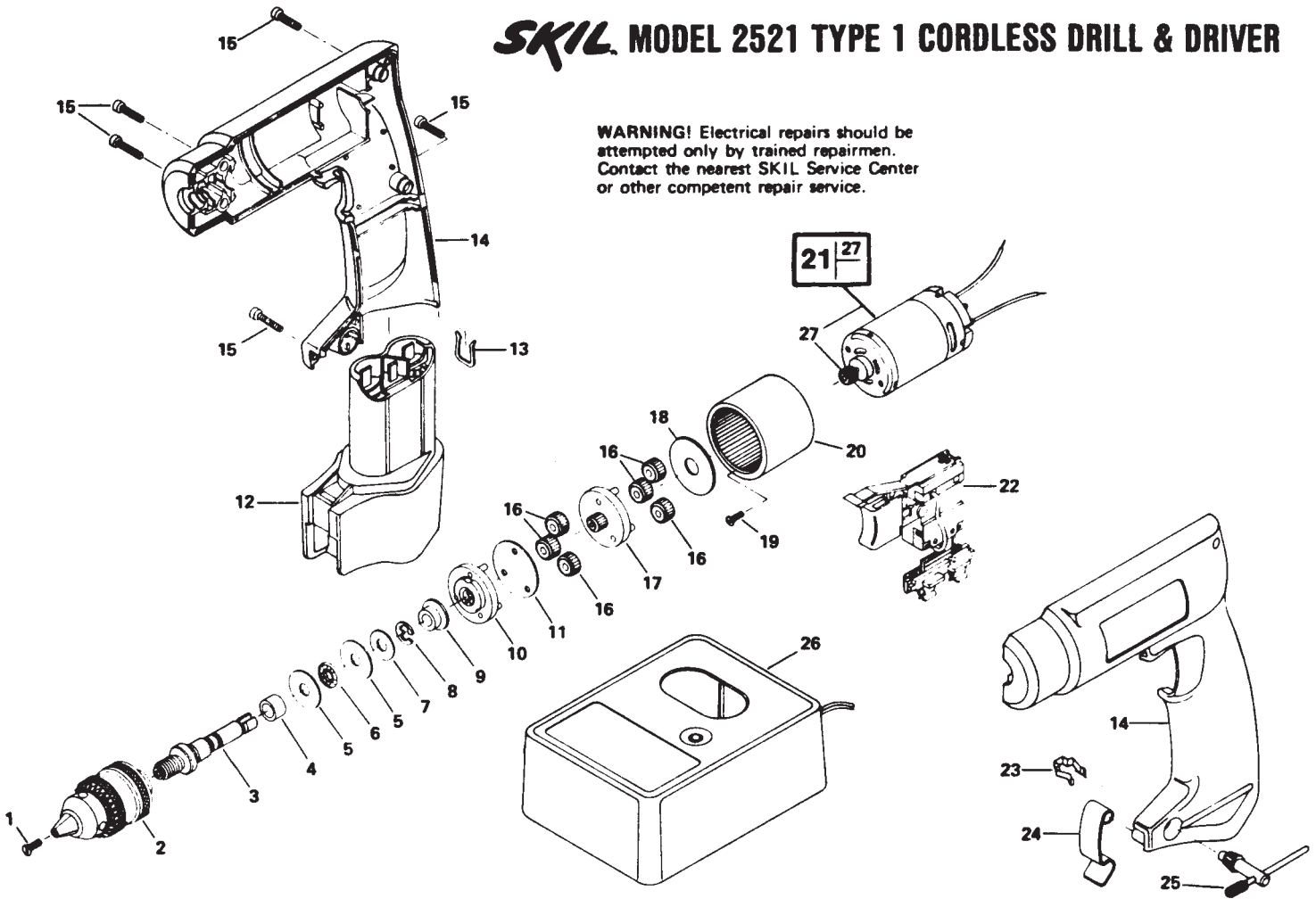


SKIL MODEL 2521 TYPE 1 CORDLESS DRILL & DRIVER

WARNING! Electrical repairs should be attempted only by trained repairmen. Contact the nearest SKIL Service Center or other competent repair service.



REF. NO.	PART NO.	PART NAME
1	68005	SCREW
2	96326	CHUCK
3	351024	SPINDLE SHAFT
4	351033	SLEEVE BEARING
5	351031	WASHER (2)
6	351029	THRUST BEARING
7	351030	LOADING SPRING WASHER
8	23340	RETAINING RING
9	351032	FLANGE BEARING
10	351049	2nd STAGE CARRIER ASSY.
11	351011	SPACER
12	92930	BATTERY PACK
13	351046	RETAINING CLIP

REF. NO.	PART NO.	PART NAME
14	352359	HOUSING SET
15	350996	SCREW (5)
16	351016	PLANET GEAR (6)
17	351048	1st STAGE CARRIER ASSY
18	351042	FLAT WASHER
19	351047	SCREW (2)
20	351028	RING GEAR
21	351038	MOTOR ASSEMBLY
22	351044	SWITCH ASSEMBLY
23	351023	KEY RETAINER
24	351018	LATCH
25	92960	CHUCK KEY
26	92900	CHARGER
27	351015	SUN GEAR