

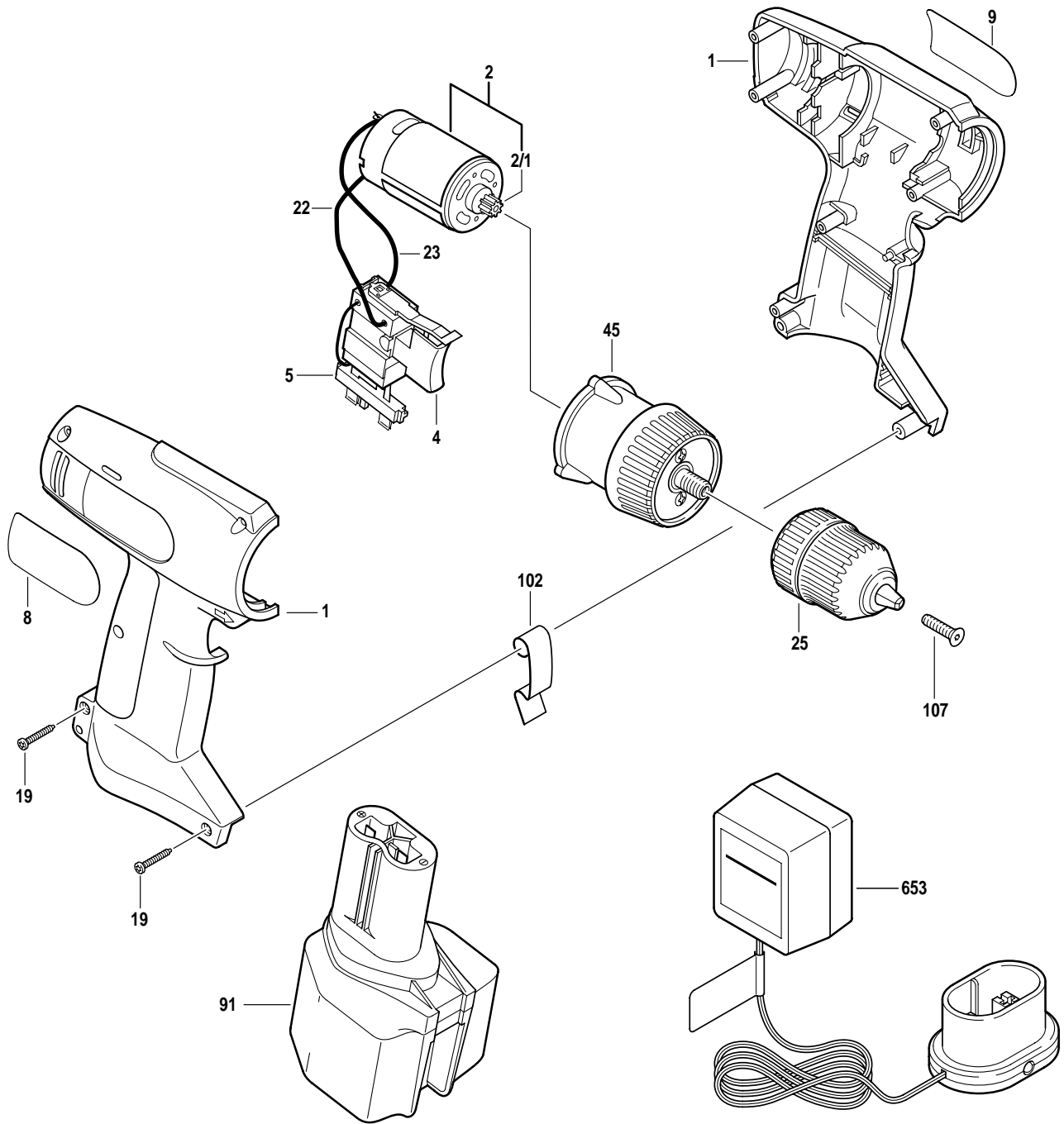


April 1999
CONSUMER

12V DRILL / DRIVER

Model F01224800A

2480



Pos.	Part Number	Description {Qty.}	F/C	Pos.	Part Number	Description {Qty.}	F/C
1	2 610 967 121	Housing Assembly	71	22	2 610 967 130	Cable 105mm	10
2	2 610 967 132	Motor w/Gear 12V	19	23	2 610 967 129	Cable 105mm	10
2/1	2 610 967 133	Pinion Gear	33	25	2 610 908 303	3/8" Keyless Chuck	91
4	2 610 995 891	Switch VSR	17	45	2 610 967 124	Drive Assembly	40
5	2 610 908 335	Battery Contact 12V	17	91	2 610 908 315	Battery 12V	18
8	2 610 996 451	Nameplate	9	102	2 610 351 018	Battery Retaining Clip	9
9	2 610 967 538	Label "2480"	9	107	3 603 430 505	Screw L.H.	85
19	2 610 909 719	Screw {7}	89	653	2 610 909 723	Charger 12V / 120V	18

+ = Not Illustrated * = As Required F/C = Failure Code AW = Refer to AW Labor Time Chart