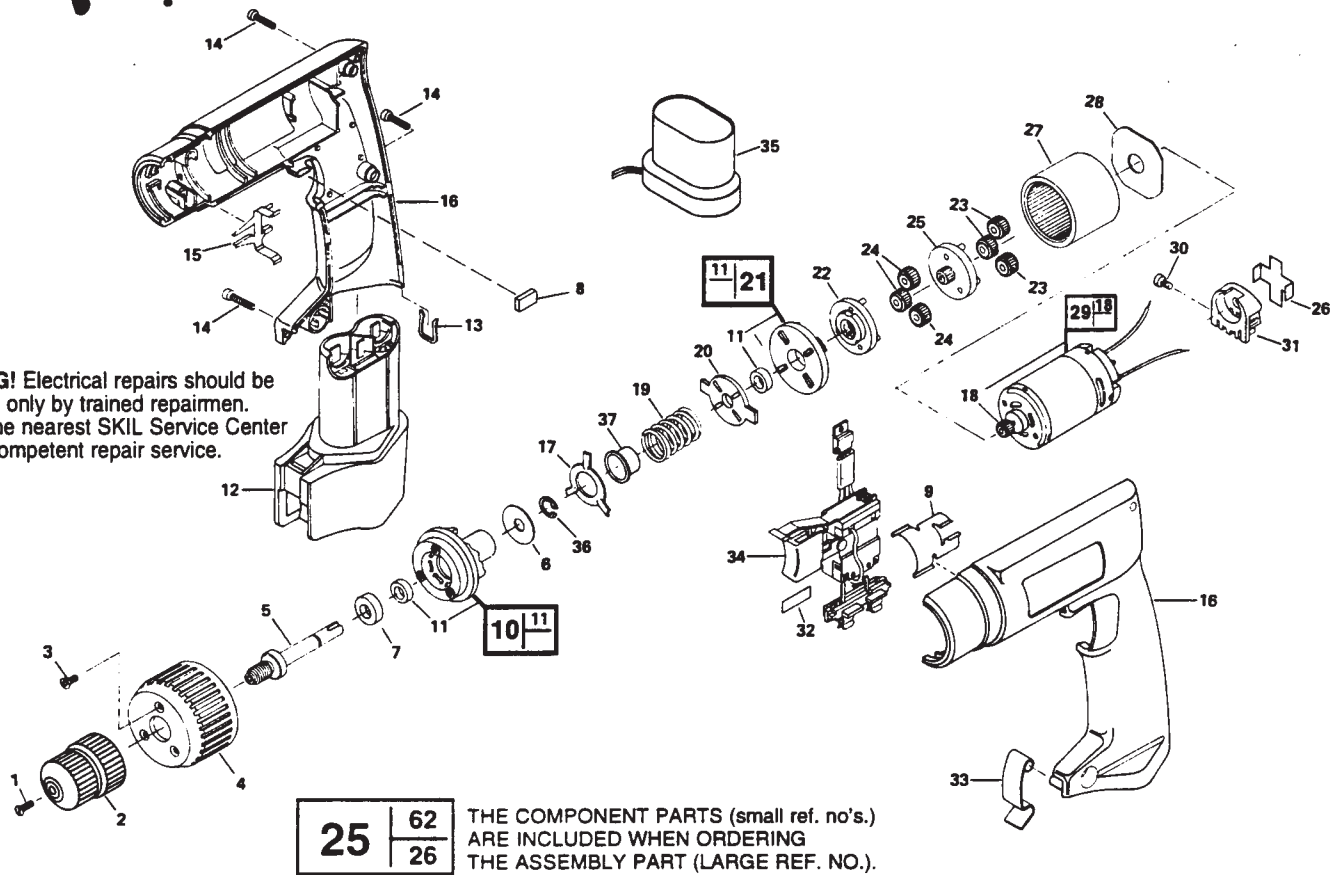


SKIL

MODEL 2375 TYPE 1 CORDLESS DRILLS & DRIVERS

WARNING! Electrical repairs should be attempted only by trained repairmen. Contact the nearest SKIL Service Center or other competent repair service.



25 | **62** | THE COMPONENT PARTS (small ref. no.'s.)
26 | ARE INCLUDED WHEN ORDERING
 THE ASSEMBLY PART (LARGE REF. NO.).

| REF. NO. | PART NO. | PART NAME | REF. NO. | PART NO. | PART NAME |
|----------|------------|-----------------------|----------|------------|-------------------------|
| 1 | 68005 | SCREW | 20 | 2610904632 | CLUTCH PLATE |
| 2 | 2610908303 | CHUCK | 21 | 2610908318 | CLUTCH ASSEMBLY |
| 3 | 351043 | SCREW (3) | 22 | 2610908306 | 2nd STAGE CARRIER ASSY. |
| 4 | 352856 | COLLAR | 23 | 2610908919 | PLANET GEAR |
| 5 | 358066 | SPINDLE SHAFT | 24 | 2610908901 | PLANET GEAR |
| 6 | 26126 | LOADING SPRING WASHER | 25 | 2610908305 | 1st STAGE CARRIER |
| 7 | 354729 | WASHER | 26 | 2610910463 | INSULATOR |
| 8 | 352598 | SHIELD (2) | 27 | 2610908343 | RING GEAR |
| 9 | 351040 | WEAR PLATE MAIN | 28 | 351013 | FLAT WASHER |
| 10 | 351037 | CAM ASSEMBLY | 29 | • | MOTOR ASSEMBLY |
| 11 | 351034 | SLEEVE BEARING | 30 | 315146 | SCREW |
| 12 | • | BATTERY PACK (2) | 31 | 351019 | HEAT SINK |
| 13 | 351046 | RETAINING CLIP | 32 | 2610910462 | INSULATOR |
| 14 | 315386 | SCREW (5) | 33 | 351018 | LATCH |
| 15 | 351041 | WEAR PLATE COVER | 34 | • | SWITCH ASSEMBLY |
| 16 | 2610908319 | HOUSING SET | 35 | • | CHARGER |
| 17 | 351012 | CAM WASHER | 36 | 904751 | SNAP RING |
| 18 | 2610908900 | SUN GEAR | 37 | 2610909730 | SPACER |
| 19 | 351014 | COMPRESSION SPRING | | | |

SPECIAL NOTES:
 USED ONLY ON TOOLS WITH SPINDLE SHAFT
 RETAINING RING THAT ASSEMBLES ON THE CHUCK SIDE OF CAM ASSEMBLY.

• THE FOLLOWING PARTS ONLY APPLY TO MODELS INDICATED:

| REF. NO. | MODEL 2375 | MODEL 2475 | PART NAME |
|----------|------------|------------|-----------------|
| 12 | 92955 | 92975 | BATTERY PACK |
| 29 | 2610909726 | 2610909727 | MOTOR ASSEMBLY |
| 34 | 2610909710 | 2610908342 | SWITCH ASSEMBLY |
| 35 | 92950 | 92970 | CHARGER |