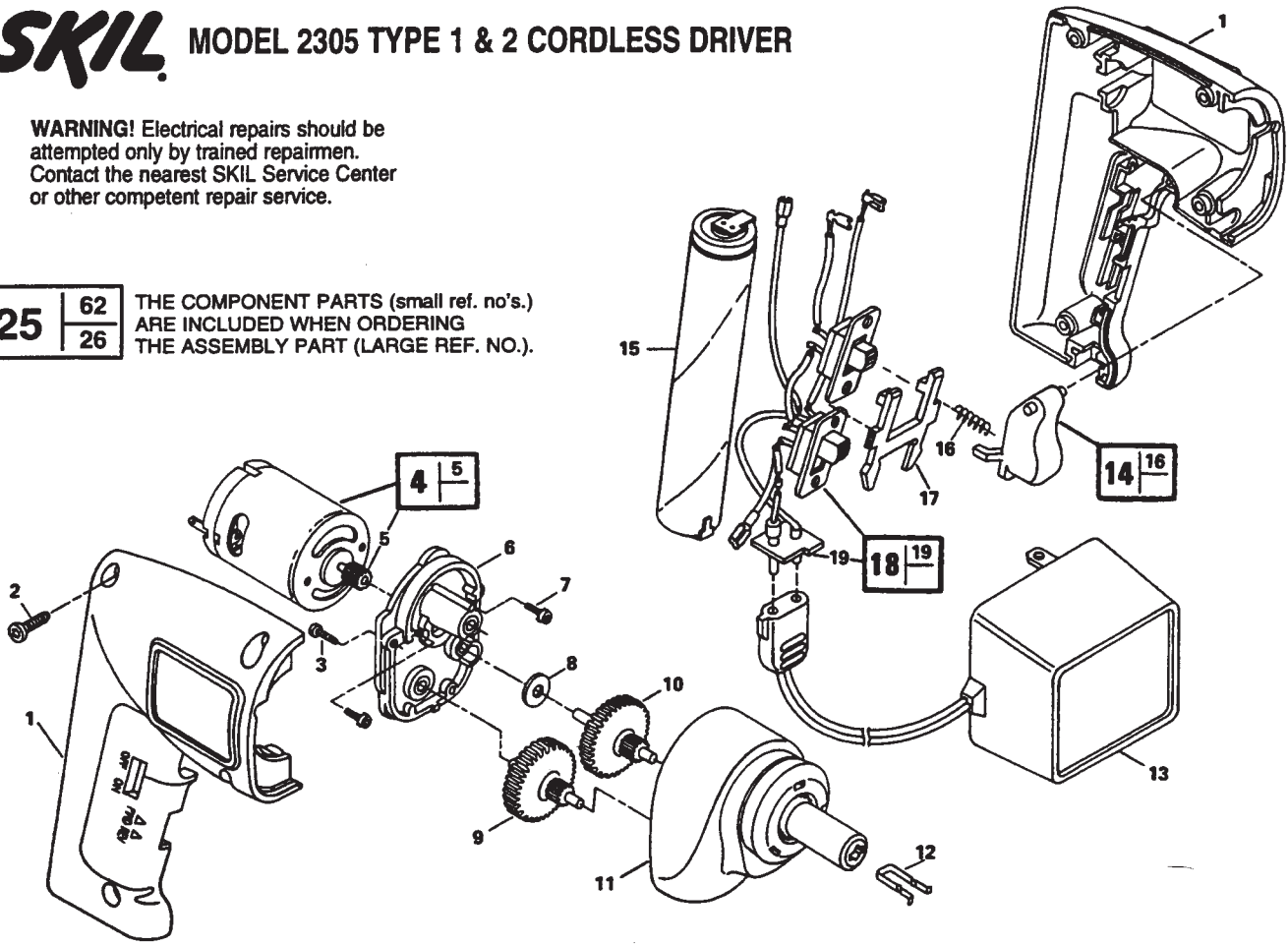


SKIL MODEL 2305 TYPE 1 & 2 CORDLESS DRIVER

WARNING! Electrical repairs should be attempted only by trained repairmen. Contact the nearest SKIL Service Center or other competent repair service.

25	62	THE COMPONENT PARTS (small ref. no.'s.) ARE INCLUDED WHEN ORDERING THE ASSEMBLY PART (LARGE REF. NO.).
	26	



REF. NO.	PART NO.	PART NAME	REF. NO.	PART NO.	PART NAME
1	348087	HANDLE SET	11	327775	GEAR HOUSING ASSEMBLY
2	323769	SCREW (4)	12	356022	DETENT SPRING KIT
3	327772	SCREW (3)	13	72068	CHARGER
4	327779	MOTOR ASSEMBLY	14	321644	TRIGGER & SPRING
5	327756	PINION	15	355790	BATTERY PACK
6	328478	BEARING PLATE ASSEMBLY	16	321643	SPRING
7	327798	SCREW (2)	17	313839	SAFETY LOCK
8	327764	WASHER	18	350924	SWITCH ASSEMBLY
9	327774	INT. GEAR ASSEMBLY	19	327496	TERMINAL BOARD
10	327781	INT. GEAR ASSEMBLY			

2305 TYPE 1 LAST MFG. 2/91