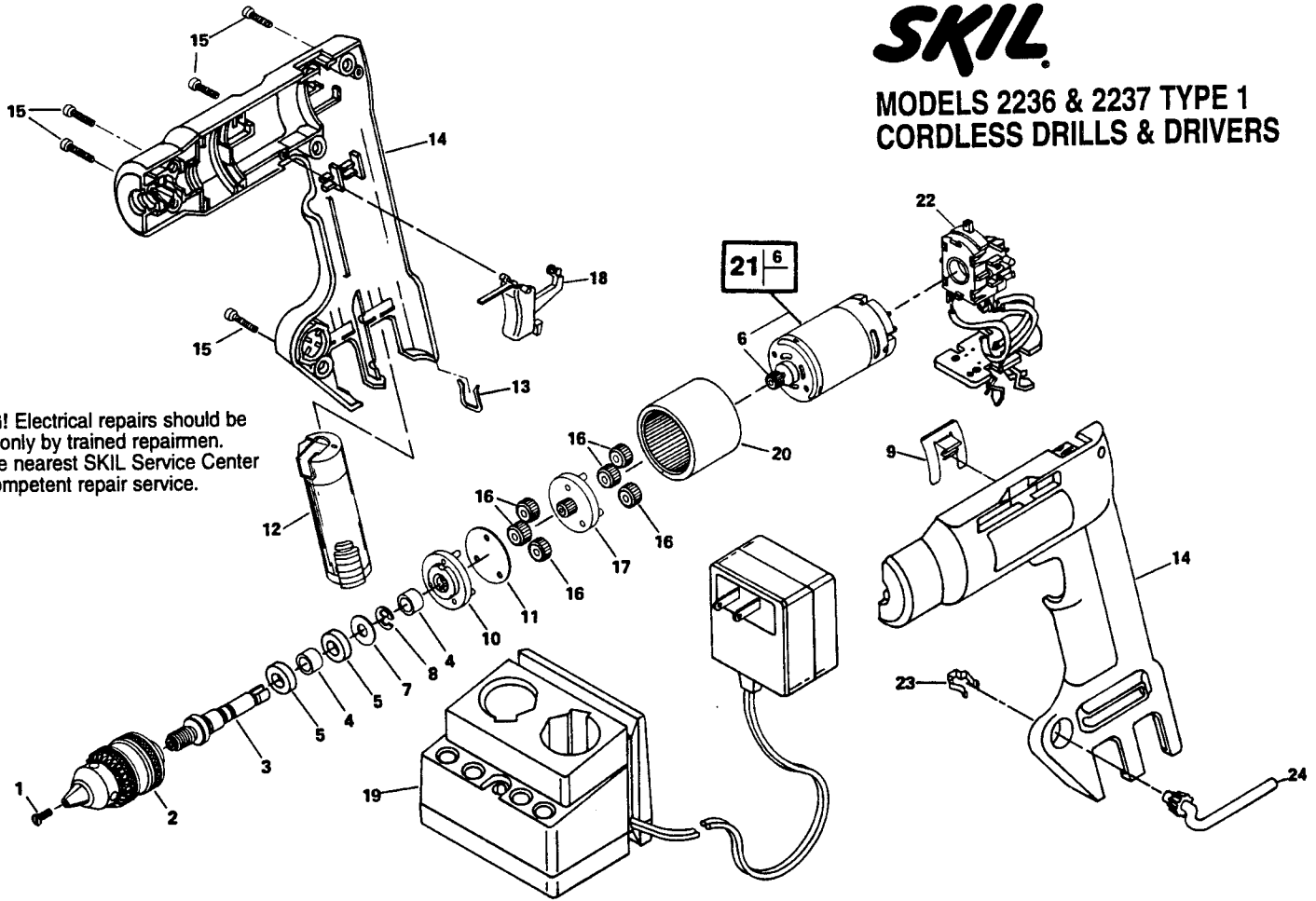


SKIL

MODELS 2236 & 2237 TYPE 1 CORDLESS DRILLS & DRIVERS



WARNING! Electrical repairs should be attempted only by trained repairmen. Contact the nearest SKIL Service Center or other competent repair service.

25	62	THE COMPONENT PARTS (small ref. no's.) ARE INCLUDED WHEN ORDERING THE ASSEMBLY PART (LARGE REF. NO.).
	26	

REF. NO.	PART NO.	PART NAME	REF. NO.	PART NO.	PART NAME
1	68005	SCREW	13	351046	RETAINING CLIP
2	•	CHUCK & KEY SET	14	-358578-	HOUSING SET
3	904752	SPINDLE SHAFT KIT	15	315386	SCREW
4	351034	SLEEVE BEARING	16	351016	PLANET GEAR
5	354729	WASHER	17	351048	1st STAGE CARRIER ASSY.
6	351015	PINION	18	352624	TRIGGER
7	26126	LOADING SPRING WASHER	19	92942	CHARGER
8	904751	RETAINING RING	20	357521	RING GEAR
9	358560	RETAINER (2)	21	353298	MOTOR ASSEMBLY
10	351049	2nd STAGE CARRIER ASSY.	22	+ 358570	SWITCH
11	351011	SPACER	23	•	KEY RETAINER
12	92940	BATTERY PACK (2)	24	•	CHUCK KEY

SPECIAL NOTES:

+BEFORE ASSEMBLING SWITCH TO MOTOR PLACE REVERSING LEVER IN CENTER ("OFF") POSITION.

▲ #904782 IS A KEYLESS CHUCK

• THE FOLLOWING PARTS ONLY APPLY TO MODELS INDICATED:

REF. NO.	MODEL	MODEL	PART NAME
2	2236	2237	CHUCK & KEY SET
23	67974	904782▲	KEY RETAINER
24	351023	----	CHUCK KEY
	92940	----	