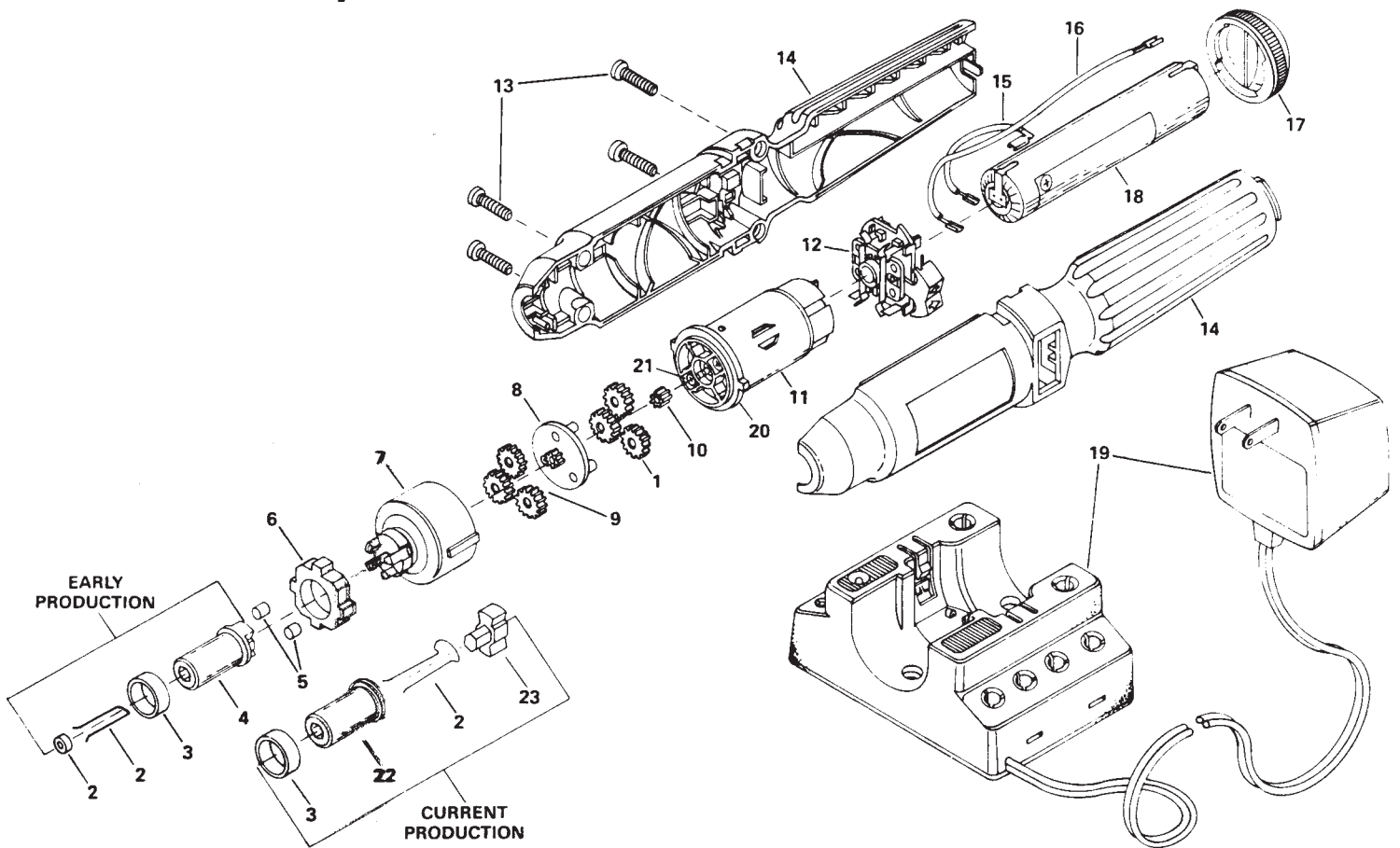


# SKIL MODEL 2210 TYPE 1 & 2 CORDLESS SCREWDRIVER



REF. NO.	PART NO.	PART NAME
1	350359	PLANET GEAR (3)
2	354744	BIT RETAINER KIT
3	352510	BEARING
4	● 352512	COLLET (ONE PIECE)
5	352532	DOWEL PIN
6	352511	LOCK RING
7	352599	RING GEAR CARRIER ASSY.
8	353495	1st CARRIER
9	347918	PLANET GEAR (3)
10	352042	PINION GEAR

REF. NO.	PART NO.	PART NAME
11	352528	MOTOR
12	352517	SWITCH ASSY.
13	347948	SCREWS (4)
14	● 350645	HOUSING SET
15	350149	WIRE ASSEMBLY
16	352519	WIRE ASSEMBLY
17	352502	CAP
18	352507	BATTERY PACK
19	92010	CHARGER ASSY.
20	352508	MOTOR MTG. PLATE
21	352518	SCREW (2)
22	● 352545	COLLET (2 PIECE)
23	● 352546	COLLET CAM

● **SPECIAL NOTES:**

EARLY PRODUCTION UNITS USED A ONE PIECE COLLET. WHEN REPLACING WITH TWO PIECE COLLET AND CAM, HOUSING SET #350645 MUST ALSO BE INSTALLED.