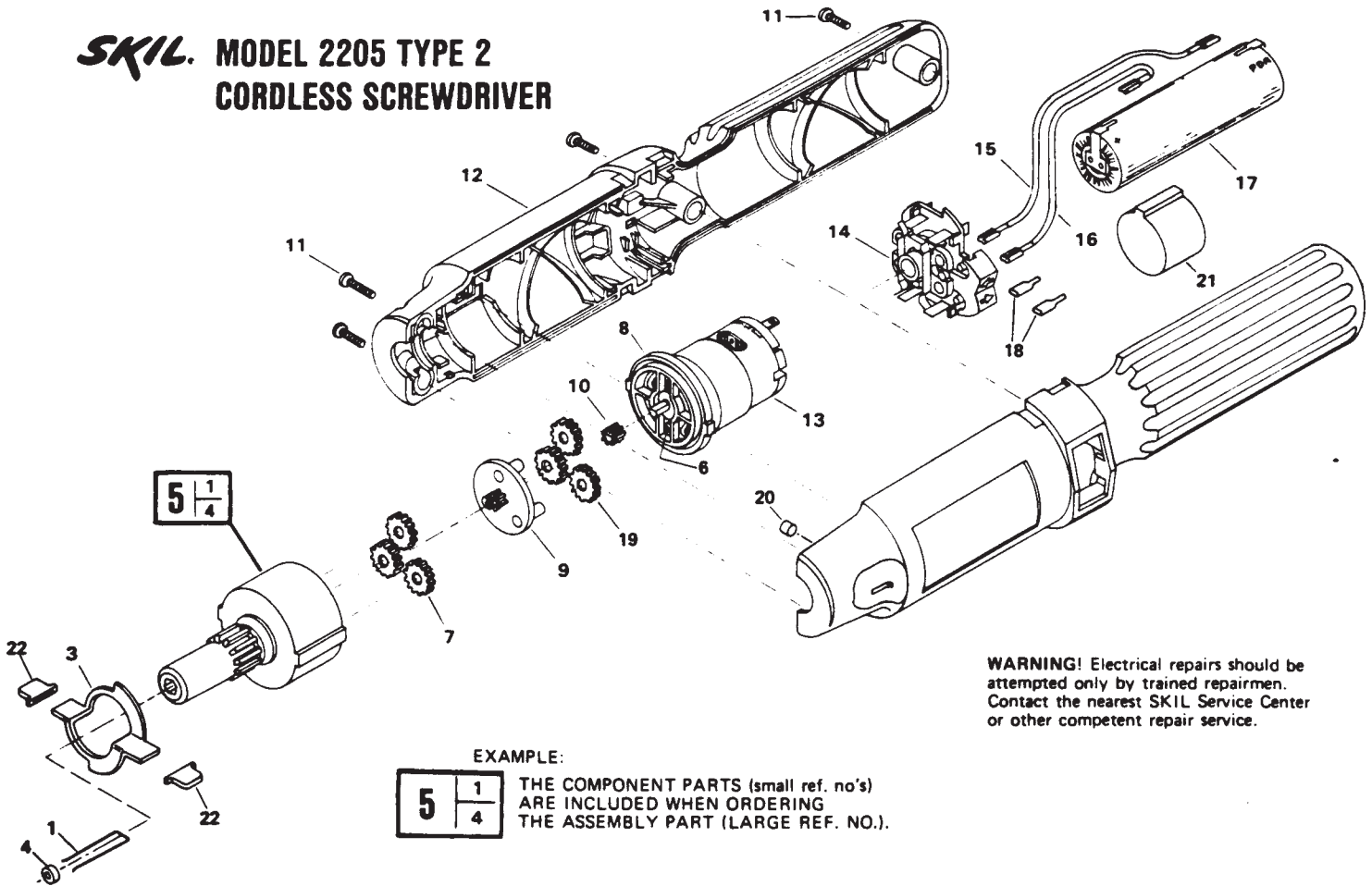


SKIL. MODEL 2205 TYPE 2 CORDLESS SCREWDRIVER



WARNING! Electrical repairs should be attempted only by trained repairmen. Contact the nearest SKIL Service Center or other competent repair service.

EXAMPLE:



THE COMPONENT PARTS (small ref. no's) ARE INCLUDED WHEN ORDERING THE ASSEMBLY PART (LARGE REF. NO.).

REF. NO.	PART NO.	PART NAME
1	348356	BIT RETAINER
2	92000	CHARGER & STAND ASM. (Not Shown)
3	354723	COLLET LOCK
4	354655	PLUG
5	350009	RING GEAR, CARRIER & COLLET ASM.
6	350012	SCREWS, MTR. MTG. (2)
7	347918	PLANET GEAR (3)
8	347911	MTR. MTG PLATE
9	353495	FIRST STAGE CARRIER
10	352042	PINION GEAR
11	347948	SCREW (4)

REF. NO.	PART NO.	PART NAME
12	356786	HOUSING SET
13	352716	DC MOTOR
14	352517	SWITCH ASSEMBLY
15	352519	WIRE ASSEMBLY
16	350149	WIRE ASSEMBLY
17	352507	BATTERY PACK
18	302331	INSULATOR
19	350359	PLANET GEAR (3)
20	354679	PLUG
21	353506	BOOT
22	355038	CAP