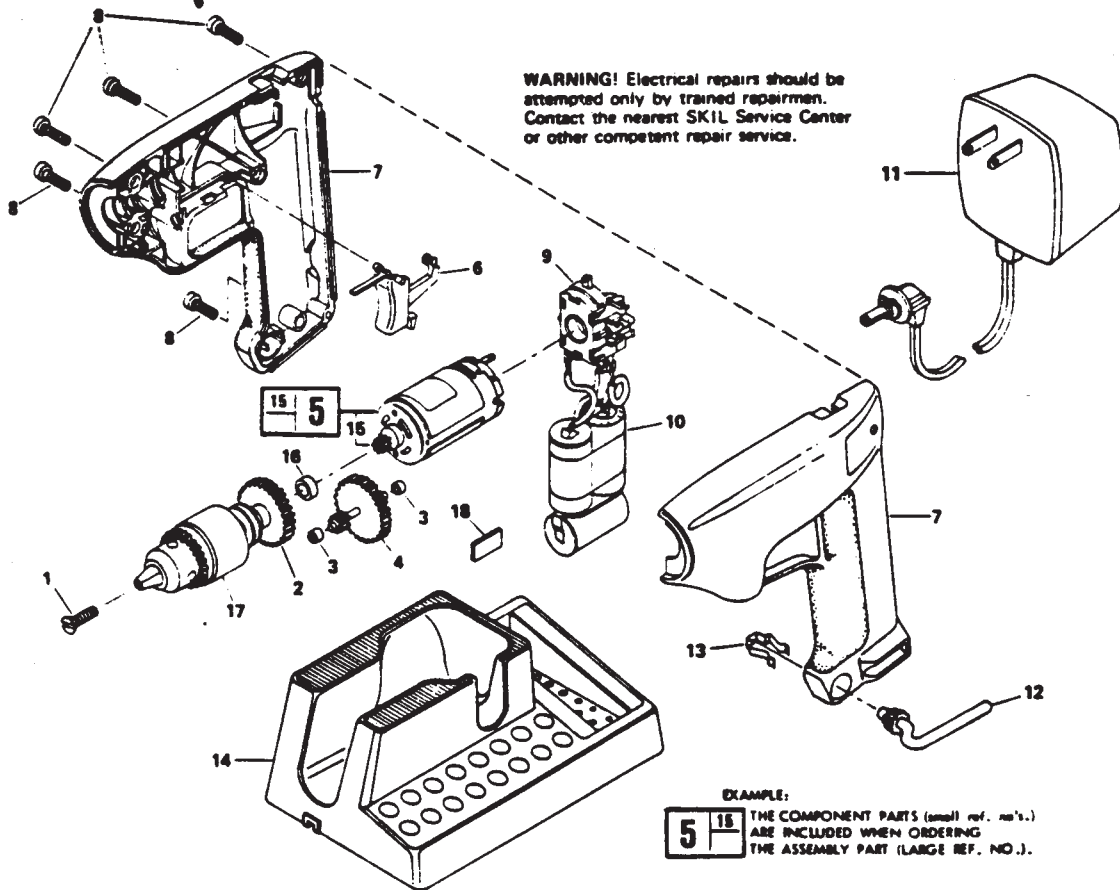


SKIL MODEL 2130 TYPE 1 & 2 CORDLESS DRILL & SCREWDRIVER



REF. NO.	PART NO.	PART NAME
1	68005	SCREW
2	354721	GEAR ASSEMBLY
3	352629	BEARING
4	353294	INT. GEAR ASSEMBLY
5	• 353292	MOTOR & PINION ASSY.
6	352624	TRIGGER
7	352600	HOUSING SET
8	350996	SCREW
9	• 354396	SWITCH ASSEMBLY

REF. NO.	PART NO.	PART NAME
10	352641	BATTERY PACK
11	92905	CHARGER
12	28667	CHUCK KEY
13	351023	RETAINER
14	352606	CHARGER STAND
15	352613	MOTOR PINION
16	351034	BEARING
17	67974	CHUCK & KEY SET
18	352598	SHIELD

SPECIAL NOTES:

- WHEN REPLACING MOTOR, IF "OLD" MOTOR SWITCH END CAP HAS BRASS RIVETS AND "NEW" MOTOR DOES NOT, SWITCH MUST BE REPLACED ALSO.

SKIL CORPORATION • SUBSIDIARY OF EMERSON ELECTRIC CO.
4300 W. PETERSON AVENUE • CHICAGO, IL 60646

F-354322 12/91
PRINTED IN U.S.A.