

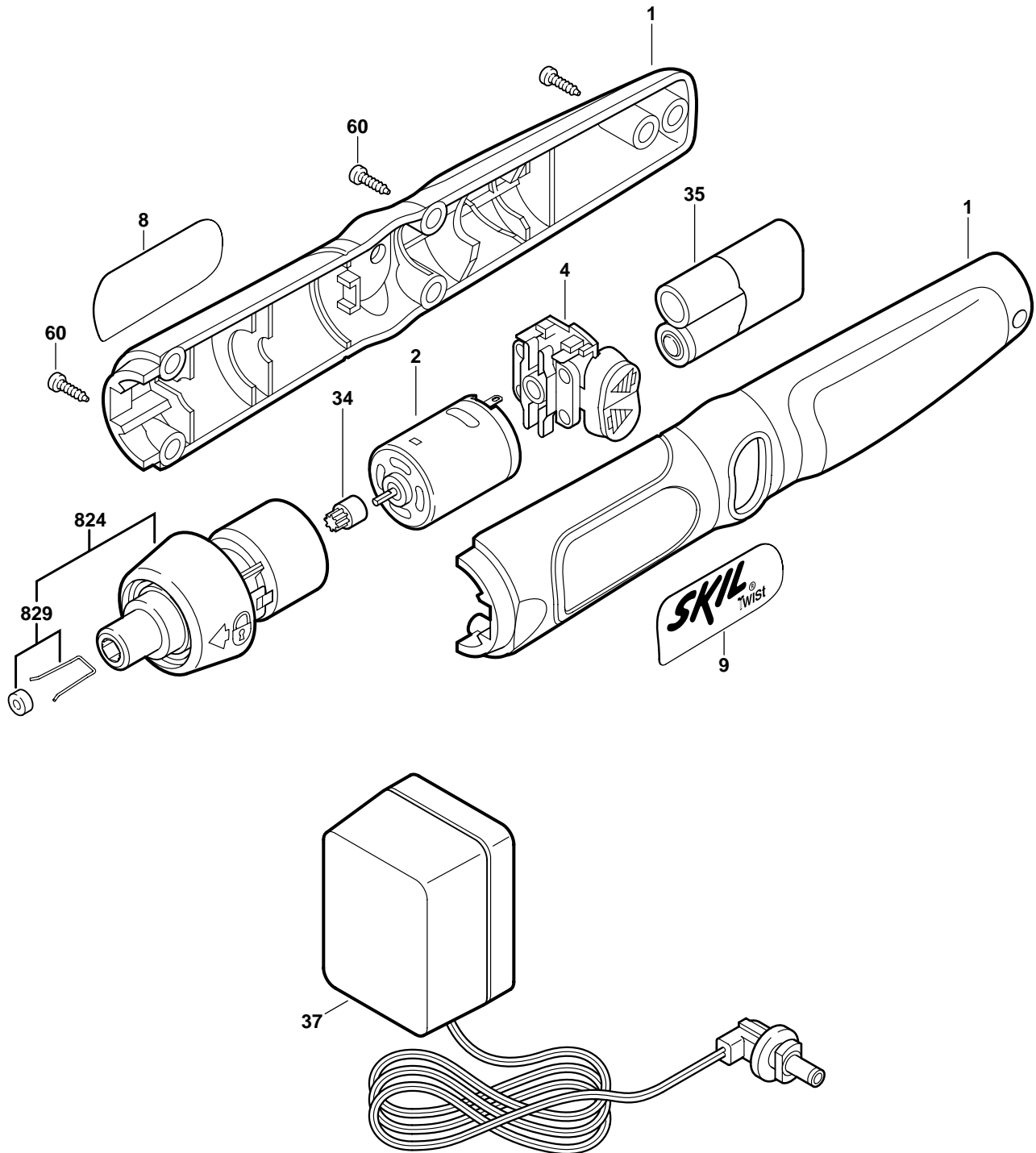


January 1998
CONSUMER

2.4V SCREWDRIVER

Model F012210600

2106



Pos.	Part Number	Description {Qty.}	F/C	Pos.	Part Number	Description {Qty.}	F/C
1	2 610 993 300	Housing Assembly	71	35	2 610 993 310	Battery 2.4V	18
2	2 610 352 716	Motor 2.4V	19	37	2 610 993 317	Charger 2.4V	18
4	2 610 993 306	Switch Fwd/Rev	16	60	2 610 347 948	Screw {5}	89
8	2 610 993 091	Nameplate "2106"	9	824	2 610 991 239	Drive Assembly	40
9	2 610 993 092	Label "Skil Twist"	9			w/pos. 829	
34	2 610 993 305	Pinion Gear	33	829	2 610 354 744	Bit Retainer Spring Kit	27

+ = Not Illustrated * = As Required F/C = Failure Code AW = Refer to AW Labor Time Chart