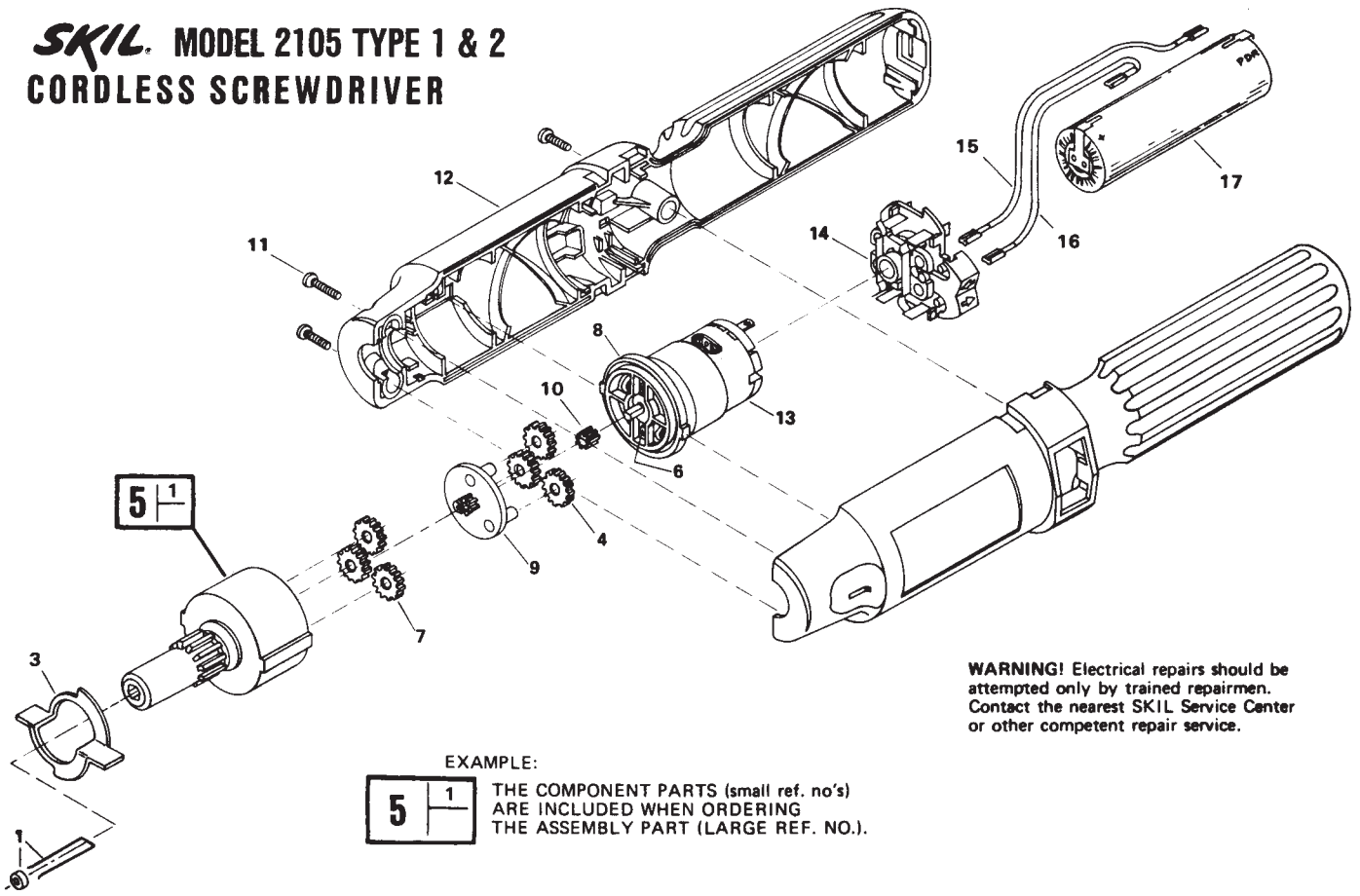


# SKIL. MODEL 2105 TYPE 1 & 2 CORDLESS SCREWDRIVER



**WARNING!** Electrical repairs should be attempted only by trained repairmen. Contact the nearest SKIL Service Center or other competent repair service.

EXAMPLE:



THE COMPONENT PARTS (small ref. no's) ARE INCLUDED WHEN ORDERING THE ASSEMBLY PART (LARGE REF. NO.).

REF. NO.	PART NO.	PART NAME
1	354744	BIT RETAINER KIT
2	92000	CHARGER & STAND ASM. (Not Shown)
3	• 354697	COLLET LOCK
4	350359	PLANET GEAR (3)
5	350009	RING GEAR, CARRIER & COLLET ASM.
6	350012	SCREWS, MTR. MTG. (2)
7	347918	PLANET GEAR (3)
8	347911	MTR. MTG PLATE
9	353495	FIRST STAGE CARRIER
10	352042	PINION GEAR

REF. NO.	PART NO.	PART NAME
11	347948	SCREW (3)
12	• 348368	HOUSING SET
13	347928	DC MOTOR
14	352858	SWITCH ASSEMBLY
15	350149	WIRE ASSEMBLY
16	347439	WIRE ASSEMBLY
17	347929	BATTERY PACK

### SPECIAL NOTES

- FORMER #347924 COLLET LOCK SPRINGS NO LONGER USED. IF COLLET LOCK SPRINGS ARE REQUIRED COMPLETE #348368 HOUSING SET MUST BE REPLACED.

TYPE 1 LAST MFG 2/88