

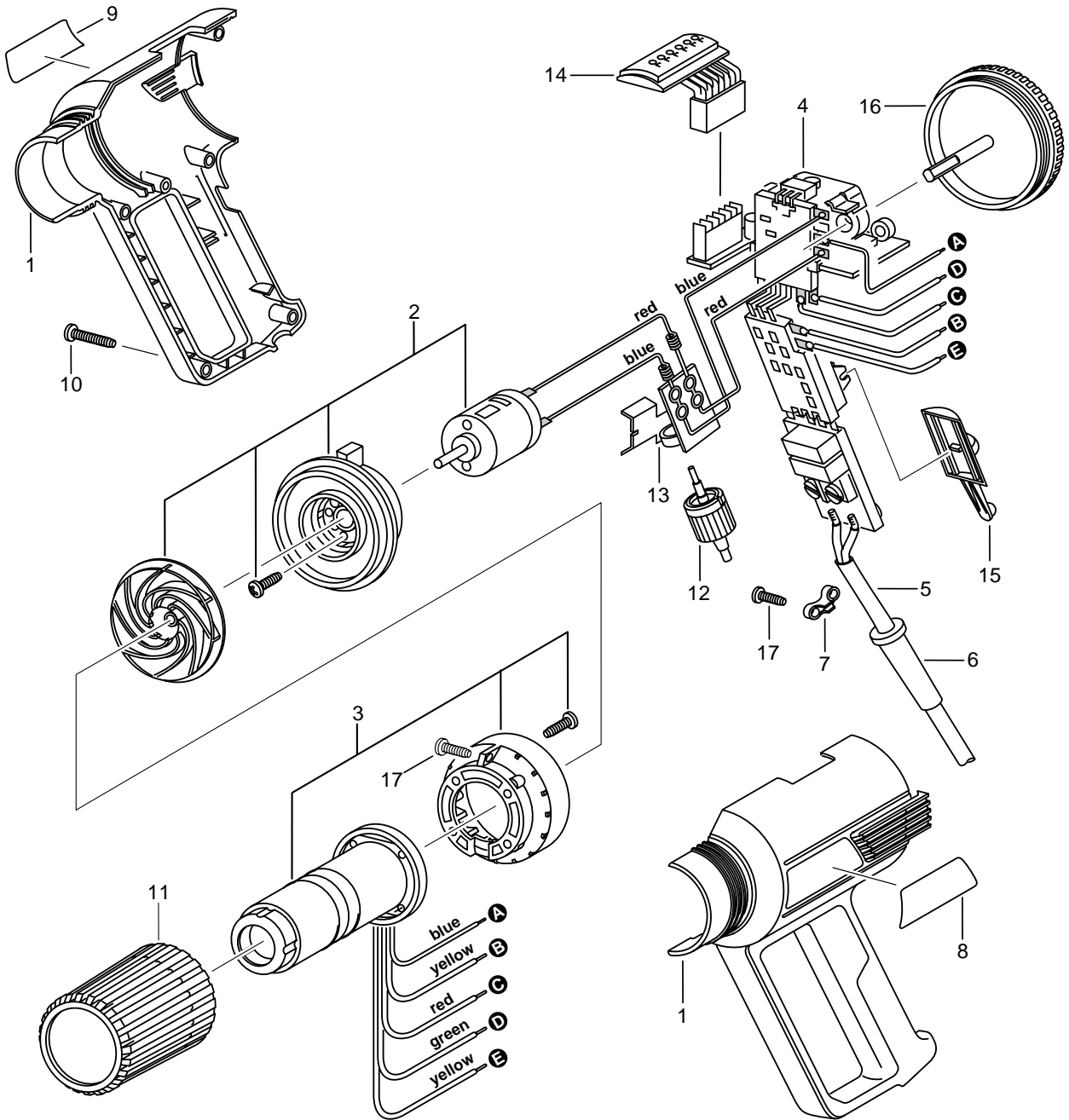
# BOSCH

October 1996  
INDUSTRIAL

## HEAT GUN

Model 0601943739

# 1943LED



Pos.	Part Number	Description {Qty.}	F/C	Pos.	Part Number	Description {Qty.}	F/C
1	2 610 911 100	Motor Housing Assy.	71	12	2 610 911 107	Thumb Wheel	16
2	2 610 911 101	Motor / Fan Assembly	19	13	2 610 911 108	Heat Sink Assembly	20
3	2 610 911 102	Heating Element Assy.	23	14	2 610 911 109	Light Conductor	9
4	2 610 911 103	Switch / Board Assembly	16	15	2 610 911 110	Switch Slide	64
5	3 604 460 514	Cord 115V 16/2	11	16	2 610 911 111	Adjustment Dial	63
6	2 610 911 104	Strain Relief	11	17	2 610 911 112	Screw {3}	89
7	2 610 911 105	Cord Clamp	89	+ 700	HG010	Heat Spreader	92
8	2 610 909 904	Label "1943LED"	9	+ 701	HG020	Heat Concentrator	92
9	2 610 909 905	Nameplate	9	+ 702	HG030	Heat Deflector	92
10	2 910 615 407	Screw {6}	89	+ 703	HG040	Heat Reflector	92
11	2 610 911 106	Protective Tube	92				

+ = Not Illustrated \* = As Required F/C = Failure Code AW = Refer to AW Labor Time Chart