

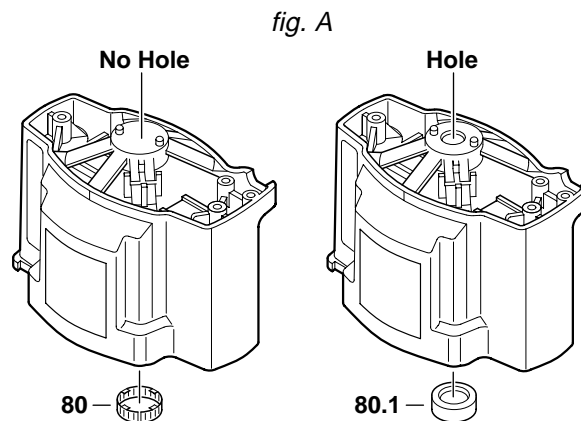


# 1823 type 1 PLUNGE ROUTER

Pos.	Part Number	Description {Qty}	F/C	Pos.	Part Number	Description {Qty}	F/C
1	2 610 353 400	Motor Housing	71	54	2 610 353 371	Depth Guide	87
2	2 610 353 383	Field 120V	22	56	2 610 353 373	Knob	63
3	2 610 353 355	Armature w/Fan 120V	AW	58	2 610 038 796	Cable 160mm	10
4	2 610 353 358	Switch On/Off	15	59	2 610 039 553	Cable 300mm	10
5	2 610 909 570	Cord 120V 18/2	11	60	2 610 347 103	Screw {2}	89
8	2 610 909 952	Nameplate	9	61	2 610 350 996	Screw {3}	89
9	2 610 909 951	Label "1823"	9	64	2 610 350 943	Screw {4}	89
13	2 610 010 409	Ball Bearing	60	65	2 610 326 578	Screw {2}	89
14	2 610 042 699	Ball Bearing	61	68	2 610 039 546	Cable 265mm	10
16	2 610 341 257	Brush Holder {2}	25	70	2 610 001 309	Nut	89
17	2 610 353 407	Brush Spring {2}	27	71	2 610 353 386	Nut	89
18	2 610 309 249	Screw {3}	89	72	2 610 011 489	Nut	89
19	2 610 318 720	Screw	89	75	2 610 350 698	Screw	89
22	2 610 353 378	Retainer Plate	65	76	2 610 067 431	Retaining Ring {2}	89
23	2 610 353 424	Collet Chuck	91	79	2 610 353 372	Thumb Screw	89
24	2 610 353 374	Collet Nut	91	80	2 610 911 048	Tolerance Ring 22mm	82
25	2 610 353 377	Collet 1/4"	91	+ 80.1	2 610 326 023	Rubber Brg. Sleeve (Old)	82
26	2 610 016 167	Wire Connector {2}	10	82	2 610 353 399	Cover Plate	70
27	2 610 350 655	Rubber Bumper {2}	9	83	2 610 353 392	Router Bit Holder	9
28	2 610 967 485	Depth Scale Sticker	9	84	2 610 353 411	Switch Cover	9
34	2 610 353 401	Motor Housing Cover	70	85	2 610 353 412	Sleeve Bearing	82
37	2 610 353 370	Base Plate	88	86	2 610 353 416	Dust Shield (Old)	79
38	2 610 353 434	Locking Lever	64	87	2 610 353 398	Spacer (Old)	82
39	2 610 353 395	Chip Deflector	92	750	91803	Templet Guide Adaptor w/pos. 18	9
41	2 610 353 433	Locking Stud	80	810	2 610 992 423	Brush & Holder Set (2ea.)	26
42	2 610 353 381	Wrench	9	821	2 610 354 662	Bearing Plate Assembly w/pos. 82, 85	38
45	2 610 353 425	Collet Lock	81	829	2 610 354 385	Base Assembly w/pos. 37	88
46	2 610 353 376	Spring {2}	27				
47	2 610 353 380	Detent Spring	27				
52	2 610 353 379	Spring	27				

## Service Notes:

- Use the correct rear bearing retainer per illustration (*fig. A*), noting the hole/no hole.



- Service parts for the old lock lever assembly (*fig. B*) are no longer available. You must replace with position numbers 38, 41, 71, 75.

