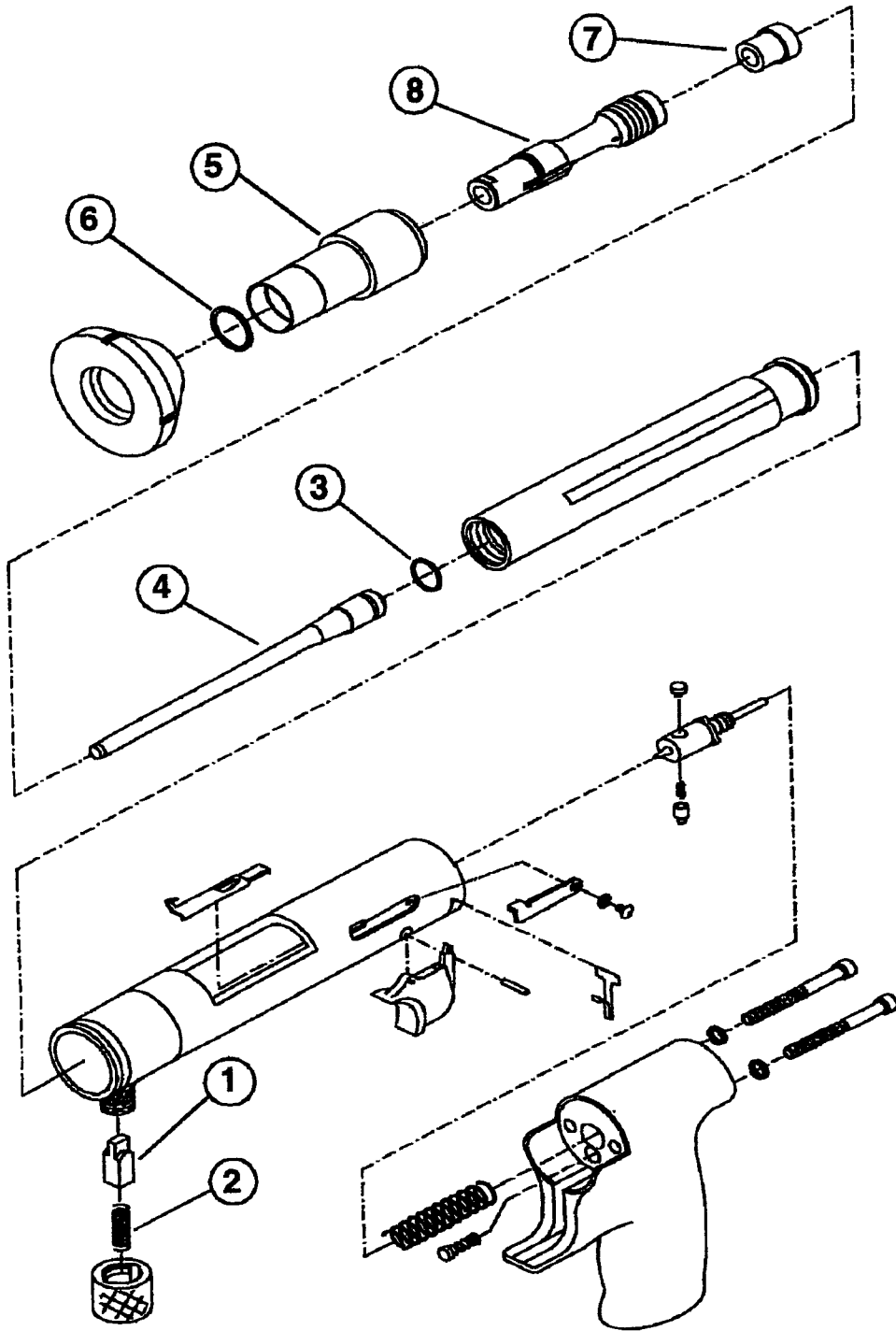


TOOL SCHEMATIC

MODEL 4170



PARTS LIST

MODEL 4170

KEY	PART NO.	DESCRIPTION
1	546621	PAWL
2	329026	PAWL SPRING
3	340005	PISTON RING
4	546909	PISTON ASSEMBLY
5	546179	MUZZLE BUSHING SHROUD
6	546180	MUZZLE BUSHING SHROUD RETAINING RING
7	546444	BUFFER
8	546178	MUZZLE BUSHING

Notice: The tool parts listed above are the only model 4170 repair parts available.
All other parts shown on the schematic are no longer available.