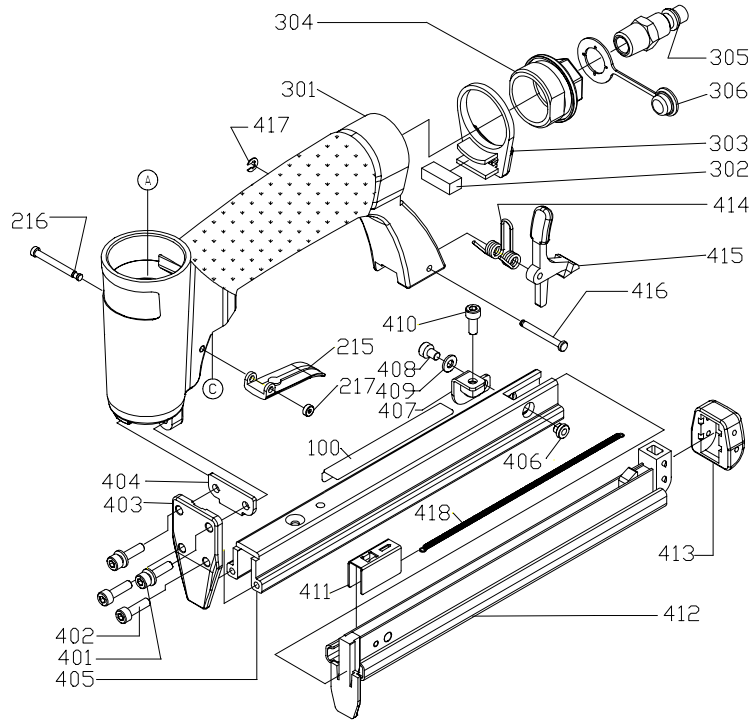
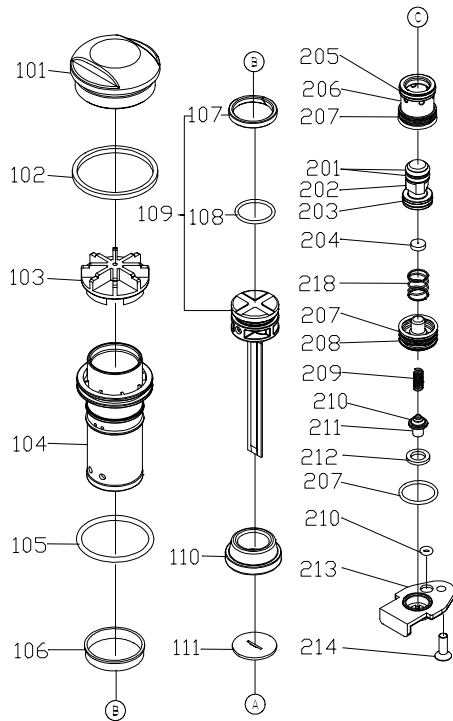


PORTER-CABLE

UPHOLSTERY STAPLER

WARNING: Repairs should only be attempted by trained repairmen. Contact the nearest Porter-Cable Service Center or other competent repair center

US58



Ref. No.	Part No.	Description
100	890854	Warning Label
101	892267	Cap
102	892268	Seal
103	892269	Cylinder Press Ring
104	892270	Cylinder
105	892271	O-Ring
106	892273	Cylinder Ring
107	892275	Piston Ring
108	892276	O-Ring
109	901937	Driver Unit W/ O-Ring, Incl.: Ref. 107, 108
*	60057	Driver Maint. Kit, Incl.: Ref. 102, 105, 109, 11
110	892278	Bumper
111	892279	Driver Guide
201	892280	O-Ring
202	893814	Valve Plunger
203	892282	O-Ring
204	892283	Plunger Stop
205	892284	O-Ring
206	893815	Valve
207	892286	O-Ring
208	892287	Plunger Cap
209	888890	Spring
210	892288	O-Ring
211	892289	Plunger
212	892290	Collar
213	892291	Cover
214	884001	Screw
215	897872	Trigger
216	897561	Trigger Pin Kit, Incl.: Ref. 217
217	883877	E-Ring, After S/N 20503
	890725	Retainer-Urethane, Before S/N 20503
218	892294	Spring
301	n 904316	Housing After, S/N 25951
	892295	Housing Before, S/N 25952
302	892296	Muffler
303	892297	Exhaust Diffuser
304	892298	End Cap

Ref. No.	Part No.	Description
305	60400	1/4" Male Quick Coupler
306	884443	Cover Plug
401	892300	Bolt
402	883864	Screw
403	892301	Driver Guide Cover
404	892302	Wear plate
405	n 904315	Magazine Unit B, After S/N 25951, Incl.: Ref. 100
	895713	Magazine Unit B, Before S/N 25952, Incl.: Ref. 100
406	892304	Anchor Block
407	897873	Bracket
408	884532	Screw
409	892306	Washer
410	884592	Screw
411	892307	Pusher
412	898686	Driver Guide Unit
413	892309	Cover
414	892310	Spring
415	892311	Stopper
416	892312	Pin
417	883877	Retaining Ring
418	892313	Spring

ACCESSORIES: (Optional)

*	893579	Safety Glasses
*	884293	Air Tool Oil (18cc)
*	891902	Hex Wrench (2mm)
*	n 891903	Hex Wrench (2.5mm)
*	884297	Hex Wrench (3mm)
*	892314	Carrying Case
*	60058	Overhaul Kit, Incl. Ref. 102, 105, 106, 110, 201, 203, 204, 205, 207, 209, 210, 212, 218
*		Porter-Cable C-Wire 22 ga.(3/8") Staples in various lengths from 1/4" to 5/8" (See Catalog)
*		Not Shown