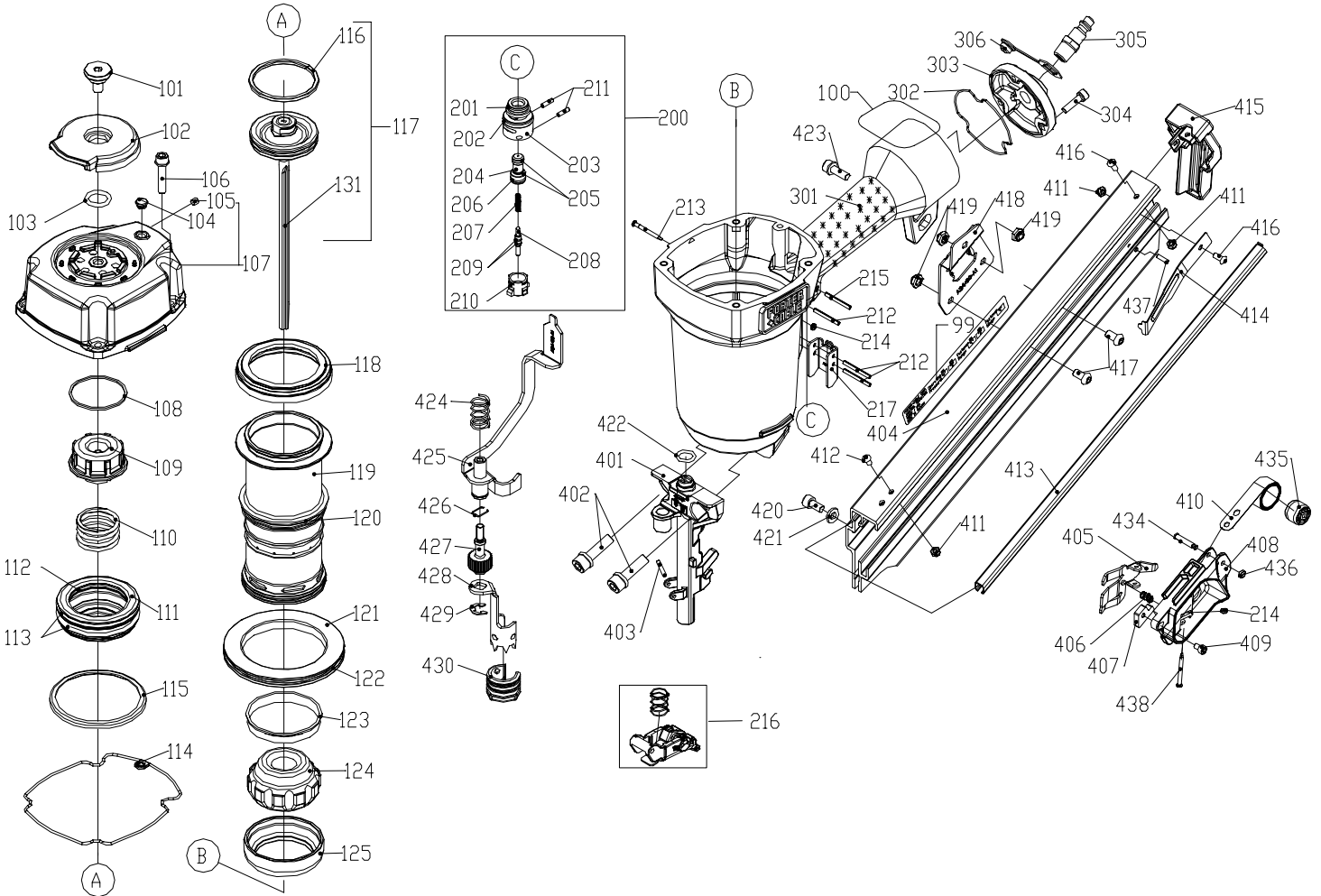


PORTER-CABLE

CLIPPED HEAD FRAMING NAILER

WARNING: Repairs should only be attempted by trained repairmen. Contact the nearest Porter-Cable Service Center or other competent repair center.

FC350A



FC350A

Ref.	No.	Part No.	Description	Ref.	No.	Part No.	Description
	99	903331	Spec. Plate		304	894752	Bolt
	100	904673	Warning Label		305	887077	Air Plug Npt 3/8"X1/4"
	101	910757	Bolt		306	887078	Air Plug 1/4 Cap
	102	897316	Deflector		401	910777	Nose Piece
	103	904269	O-Ring		402	894800	Bolt
	104	886148	Grommet		403	886070	Pin
	105	883912	Set Screw		404	910431	Magazine Assy, Incl.: Ref. 413
	106	897318	Bolt		405	907892	Pusher
	107	910758	Cap, Incl.: Ref. 105		406	897431	Spring
	108	910759	Washer		407	907893	Nut
	109	910760	Piston Stop /Seal		408	907894	Pusher Cover
	110	910761	Spring		409	883866	Screw
	111	910762	Head Valve Piston		410	907895	Spring
	112	910763	Quad Ring		411	883882	Lock Nut
	113	910764	O-Ring		412	883999	Screw
	114	910765	Housing Cap Gasket		413	907896	Channel
	115	897338	Press Ring Seat		414	910779	Nail Stop
	116	908928	Piston Ring		415	910780	Cover
	117	60094	"Driver" Maintenance Kit, Incl.: Ref. 114 & 124		416	884001	Screw
		910766	Driver Assy, Incl.: Ref. 116 & 131		417	886260	Bolt
	118	910767	Collar		418	910781	Bracket
	119	910768	Cylinder		419	886105	Lock Nut
	120	910769	O-Ring		420	886257	Bolt
	121	910770	Cylinder Spacer		421	910782	Washer
	122	897389	O-Ring		422	910783	O-Ring
	123	897387	Ring		423	910784	Screw
	124	897337	Bumper		424	910785	Spring
	125	910771	Bumper Seat		425	910786	Safety B Assy
	131	910417	Driver Blade		426	907907	Ring
	200	897458	Trigger Valve Incl.: Ref. 201 Thru 211 & 215		427	910787	Thumb Wheel
	201	897340	O-Ring		428	910788	Safety A
	202	897341	O-Ring		429	907905	E-Ring
	203	897342	Cap		430	897384	Nose Cushion
	204	883937	Valve Plunger		434	907906	Pin
	205	883936	O-Ring		435	886440	Drum
	206	883938	O-Ring		436	897359	Retaining Ring
	207	883939	Spring		437	909202	Pin
	208	897346	Plunger		438	890724	Pin
	209	883848	O-Ring		*	884293	Oil (18Cc)
	210	897347	Valve		*	884299	Hex Wrench (5mm)
	211	897374	Pin		ACCESSORIES: (Optional)		
	212	897349	Pin		*	893579	Safety Glasses
	213	897351	Pin		*	n 910413	Carrying Case
	214	890725	Retainer		*	60093	Overhaul Kit, Incl.: Ref. 108, 109, 112, 113, 114, 116, 118, 120, 122, 123, 124, & 200
	215	883884	Pin				
	216	906400	Selectable Trigger Assy - Standard, Incl.: Ref. 212		*		Porter-Cable Clipped Head Nails in various diameters from .113" to .131" & various lengths from 2" to 3½" (See Catalog
		908019	Sequential Trigger Assy - Optional, Incl.: Ref. 212				
	217	910772	Safety Guide		*		Not Shown
	301	910774	Housing, Incl.: Ref. 100		**		See Service Notes
	302	910775	Gasket				
	303	910776	End Cap				