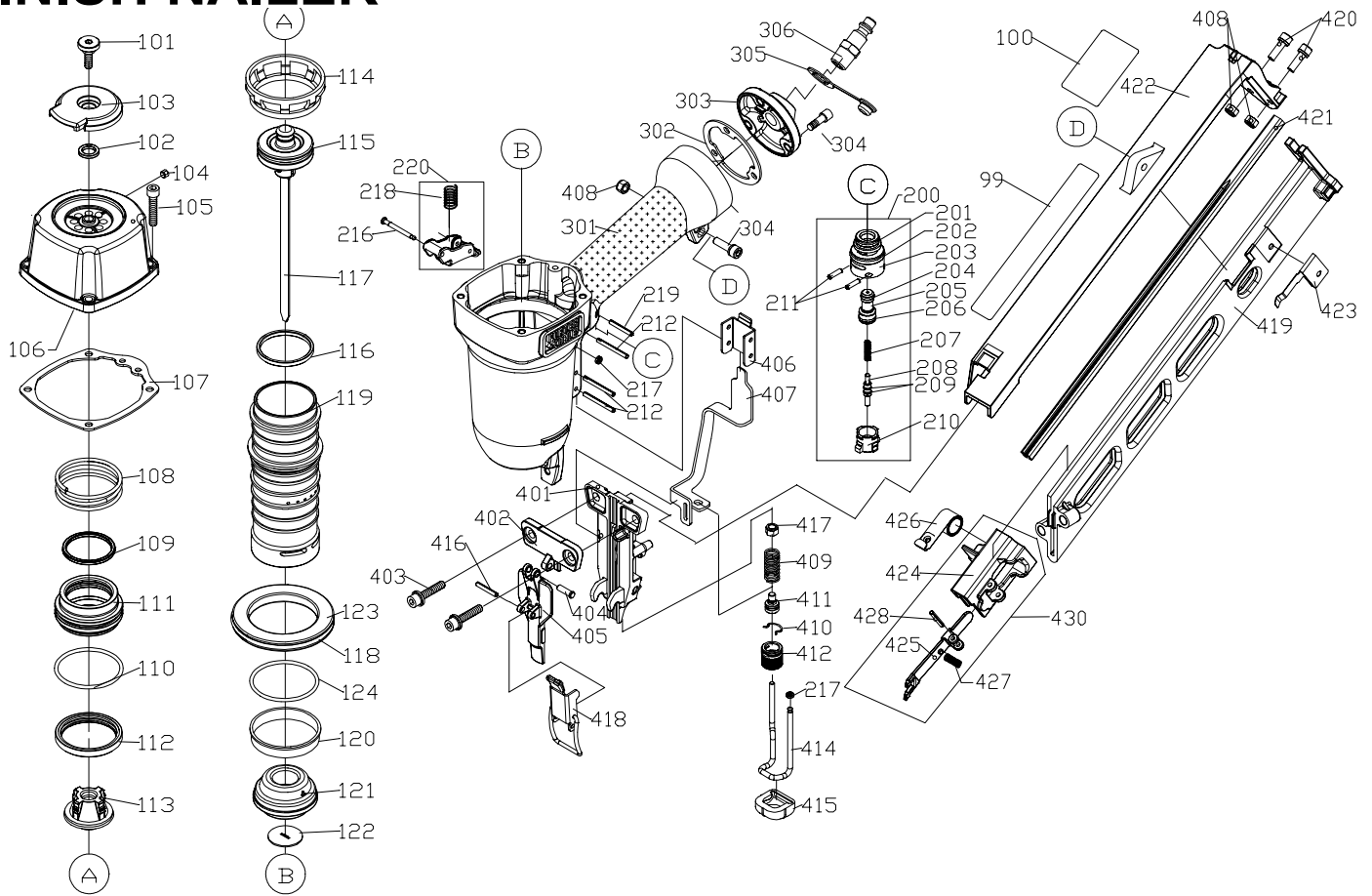


PORTER-CABLE FINISH NAILER

WARNING: Repairs should only be attempted by trained repairmen. Contact the nearest Porter-Cable Service Center or other competent repair center

DA250B



Ref.

| No. | Part No. | Description |
|-----|----------|--|
| 99 | 904671 | Spec Info Label |
| 100 | 904673 | Warning Label |
| 101 | 904740 | Bolt |
| 102 | 904683 | Rubber Pad |
| 103 | 904741 | Deflector |
| 104 | 883912 | Screw |
| 105 | 904742 | Screw |
| 106 | 904743 | Cylinder Cap |
| 107 | 904744 | Gasket-Cap |
| 108 | 904745 | Spring |
| 109 | 904746 | O-Ring |
| 110 | 904747 | O-Ring |
| 111 | 904748 | Head Valve Seal |
| 112 | 904749 | Collar |
| 113 | 904750 | Seal |
| 114 | 904751 | Press Ring |
| 115 | 904752 | O-Ring |
| 116 | 904753 | Piston Ring |
| 117 | n 60089 | Driver Unit W/ Seals Incl.: Ref, 115, & 116 |
| 118 | 904755 | O-Ring |
| 119 | 904756 | Cylinder |
| 120 | 883926 | Cylinder Check Seal |
| 121 | 904757 | Bumper |
| 122 | 904758 | Driver Guide Washer |
| 123 | 904759 | Cylinder Spacer |
| 124 | 904760 | O-Ring |
| 120 | n 897458 | Trigger Valve Incl.: Ref, 201 Thru 213 |
| 201 | 897340 | O-Ring |
| 202 | 897341 | O-Ring |
| 203 | 897342 | Plunger Cap |
| 204 | 883937 | Valve Plunger |
| 205 | 883936 | O-Ring |

Ref.

| No. | Part No. | Description |
|-----|----------|--|
| 206 | 883938 | O-Ring |
| 207 | n 883939 | Spring |
| 208 | 897346 | Trigger Valve Stem |
| 209 | 883849 | O-Ring |
| 210 | 897347 | Valve |
| 211 | 897374 | Spring Pin (3X12) |
| 212 | 897349 | Rolled Pin |
| 213 | 884404 | Rolled Pin |
| 216 | 897351 | Trigger Pivot Pin |
| 217 | 890725 | Retainer Urethane |
| 218 | 904701 | Spring |
| 219 | 884404 | Pin-Roll |
| 220 | 904951 | Single Sequential Trigger Incl.: Ref, 217 & 218 |
| | 904952 | Contact Actuation Trigger Incl.: Ref, 217 |
| 301 | 904761 | Housing |
| 302 | 904762 | End Cap Gasket |
| 303 | 904763 | End Cap-1/4" Npt |
| 304 | 890738 | Bolt |
| 305 | 884443 | Plug-Cover (1/4Npt X 1/4) |
| 306 | 883859 | Quick Coupler-Male |
| 401 | 904764 | Driver Guide |
| 402 | 904765 | Driver Guide Cover B |
| 403 | 898306 | Bolt |
| 404 | 904766 | Pin-Fixed |
| 405 | 904767 | Driver Guide Cover A |
| 406 | 887913 | Safety Guide |
| 407 | 904768 | Safety B |
| 408 | n 883970 | Locknut |
| 409 | 904770 | Safety Spring |
| 410 | 904771 | Ring |

Ref.

| No. | Part No. | Description |
|-----|----------|---|
| 411 | 904772 | Safety Spring Seat |
| 412 | 904773 | Depth Adj Wheel |
| 414 | 904774 | Safety Rod |
| 415 | 904775 | Nose Cushion |
| 416 | 904776 | Rolled Pin |
| 417 | n 904769 | Locknut |
| 418 | 904777 | Lock Handle Unit |
| 419 | 904778 | Magazine A |
| 420 | 904779 | Bolt |
| 421 | 904780 | Steel Channel |
| 422 | 904782 | Magazine Cover Incl.: Ref, 99 & 100 |
| 423 | 904783 | Plate-Nail Stop |
| 424 | 904784 | Pusher |
| 425 | 904785 | Nail Guide Pusher |
| 426 | 904786 | Spring Unit |
| 427 | 904787 | Pusher Spring |
| 428 | 888808 | Rolled Pin |
| 430 | 905022 | Pusher Assembly Incl.: Ref, 424, 425, 427, & 428 |

ACCESSORIES: (Optional)

| | | |
|---|--------|---|
| * | 884293 | Oil, (18cc) |
| * | 884298 | Hex Wrench 4Mm |
| * | 903891 | Carring Case |
| * | 884299 | Hex Wrench 5Mm |
| * | 60088 | Overhaul Kit Incl.: Ref, 107, 109, 110, 112, 118, 120, 121, 124,& 200 |

* NOT SHOWN