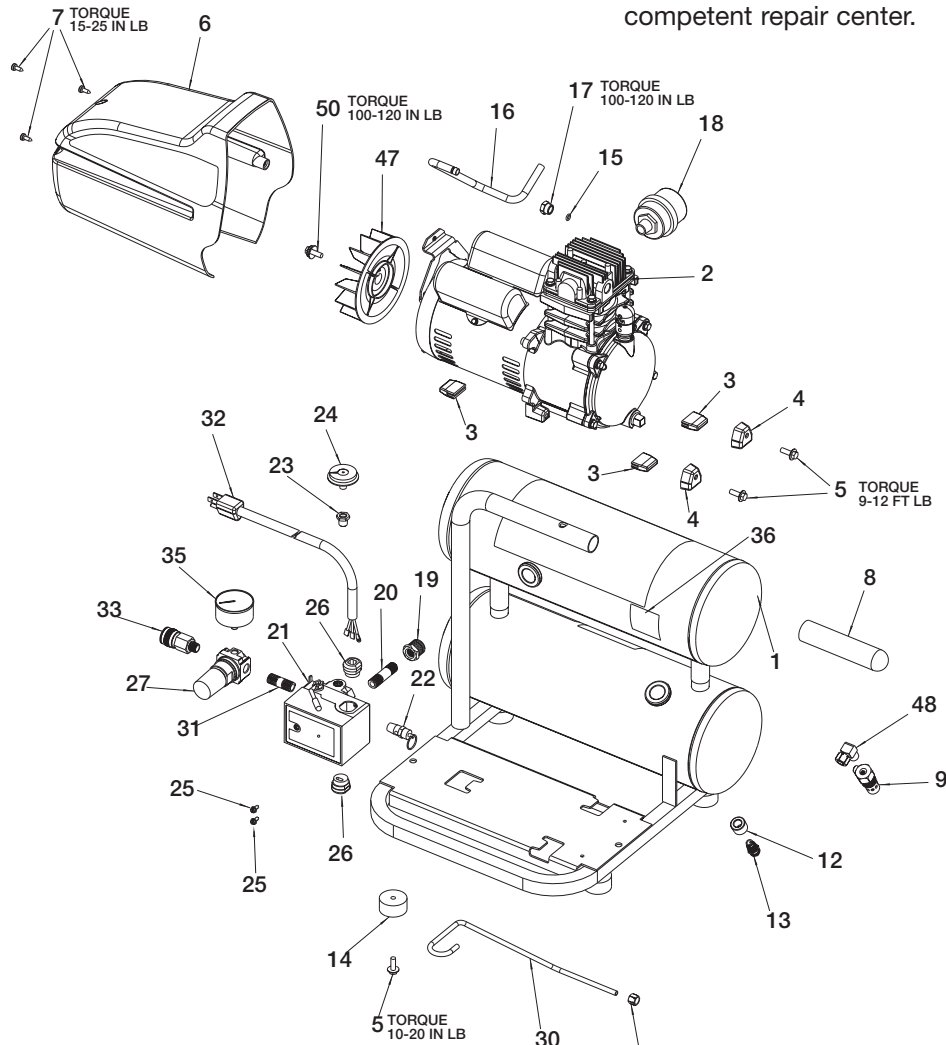


# PORTER-CABLE

## Side Stack Compressor

# CPLDC2541S

**WARNING:** Electrical repairs should only be attempted by trained repairmen. Contact the nearest Porter-Cable Service Center or other competent repair center.



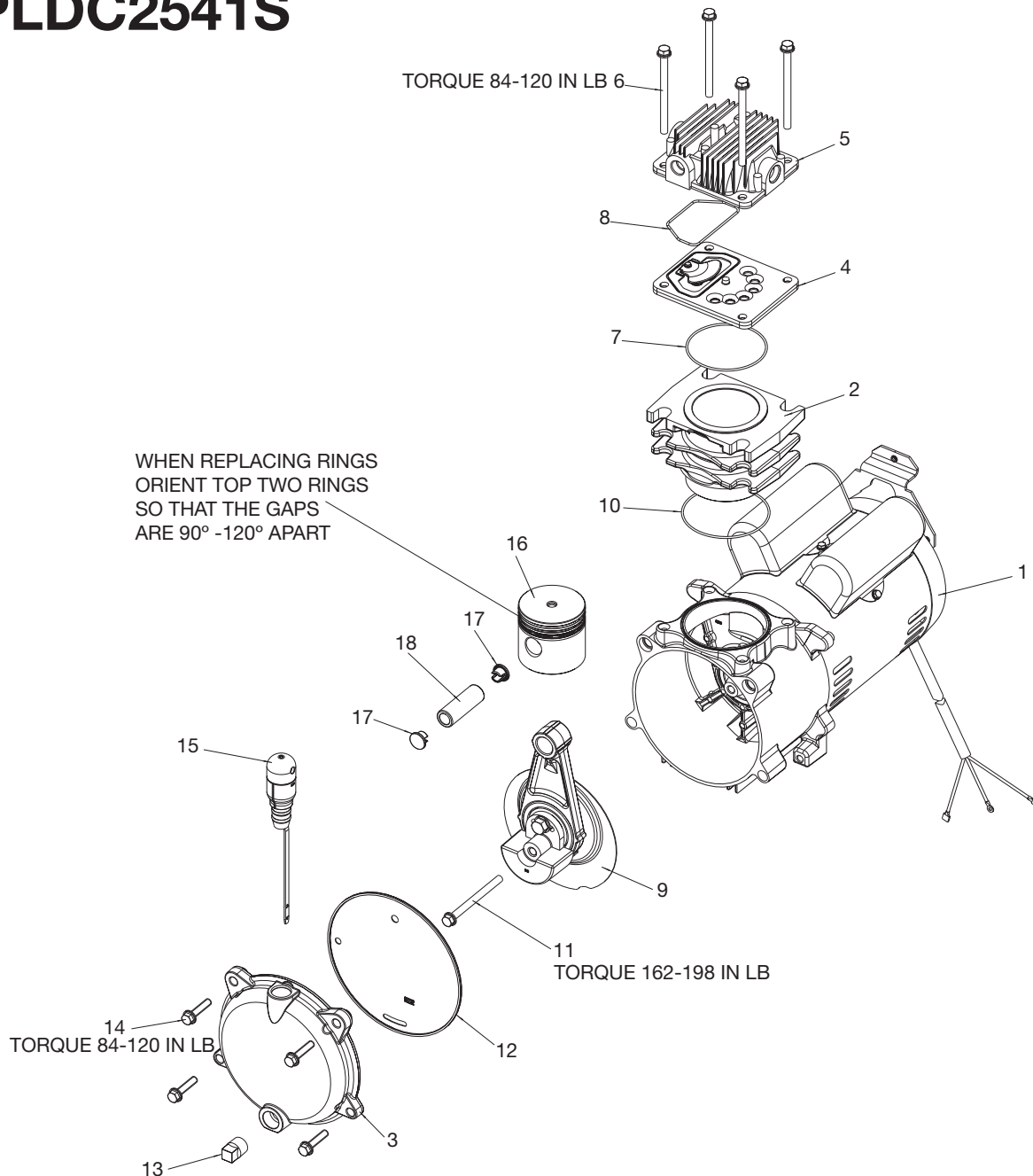
Key No.	Part Number	Description
1	Z-D23850	Tank Assembly
2	-----	Pump (see breakdown on page 2)
3	ACG-19	Isolator
4	ACG-18	Cup Saddle Mount
5	91895680	Screw, .250-20X.750
6	D22099	Shroud
7	ACG-408	Fastener Assembly
8	AC-0261	Handle Grip
9	D20204	Check Valve
11	SSP-7811	Nut Sleeve Assembly 1/4"
12	SSP-512	Bushing Face
13	AC-0430	Drain Valve
14	SST-108	Rubber Bumper
15	SSG-3105	O-Ring 306/296ID 073/067W
16	D24050	Outlet Tube
17	SSP-7821-1	Nut Tubing
18	D24345	Filter Kit
	D24332	Replacement Filter
19	SSP-517	Reducer Bushing
20	D23699	Nipple, .25 NPT X 2.0
21	Z-D23545	Pressure Switch Assembly
22	D20114	Safety Valve
23	SSP-6021	Reducer Bushing 1/8-1/4 NPT
24	Z-D23004	Gauge, 1.5 OD

Key No.	Part Number	Description
25	SUDL-9-1	Screw, #8-32X.375/.344
26	SSW-7367	Strain Relief Bushing
27	D20763	Regulator
30	D21105	Pressure Release Tube
31	SS-2071	Nipple, 1/4-18 NPT X 1.5
32	AC-0539	Power Cord Assembly
33	D20675	Universal Quick Connect
35	Z-D21855	Gauge, 2"
36	LA-2828	Label, Hot Surface
47	D22215	Fan
48	D24496	Compression Elbow
50	SSF-586	Screw, .250-20X.750

### NOT SHOWN

D23071	Label, Warning
LA-3352	Label, Oil Caution

# CPLDC2541S



Key No.	Part Number	Description
1	Z-D23185	Motor
2	Z-D22191	Cylinder Sleeve
<b>NOTE:</b> It is recommended to replace the rings when replacing the cylinder sleeve, order ring kit.		
3	D22213	Crankcase Cover
4	Z-AC-0032	Valve Plate Assembly
5	D21348	Head
6	D24472	Screw, .250-20X3.470
7	* SSG-8156	O-Ring
8	* ACG-45	O-Ring, Head
9	Z-D22207	Connecting Rod/Eccentric Assembly
10	* D22194	O-Ring
11	D22211	Screw, .250X28X3.00
12	* D22212	O-Ring Baffle
13	SSP-486	Plug Pipe 3/8 - 18 NPT
14	AC-0798	Screw, .250-20X1.25 hex

Key No.	Part Number	Description
15	D24045	Dipstick
16	D22197	Piston with rings
<b>NOTE:</b> It is recommended to replace the cylinder sleeve when replacing the piston with rings.		
17	D22203	Piston Pin Plug
18	D22199	Piston Pin
* D24296 O-Ring Kit		
D24295 Ring Kit (rings are included with piston)		
<b>NOTE:</b> It is recommended to replace the cylinder sleeve when replacing the rings.		
D24294 Capacitor Kit		

**NOTE:** See operator's manual for oil information.