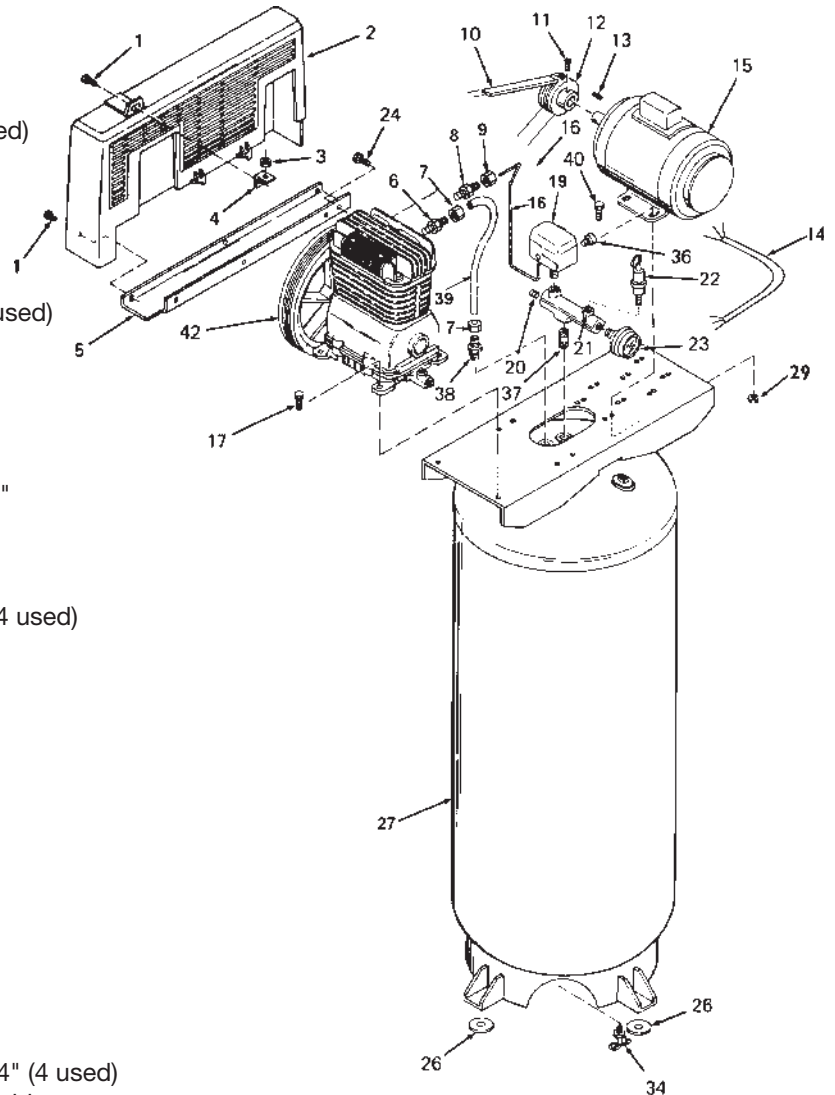


Single-Stage Oilube Compressor

WARNING: Electrical repairs should only be attempted by trained repairmen. Contact the nearest Porter-Cable Service Center or other competent repair center.

KEY

NO.	PART NUMBER	DESCRIPTION
1	SSF-953-ZN	Self Tapping Screw (4 used)
2	D20307	Belt Guard
3	SSF-8113-ZN	Lock Nut
4	CAC-2-1	Bracket
5	CAC-362-1	Beltguard Closure
6	SSP-9401	Connector
7	SSP-7812	Nut Sleeve Assembly (2 used)
8	SS-8553	Connector
9	SSP-7811	Nut Sleeve Assembly
10	C-BT-224	Poly-V Belt
11	SS-391	Set Screw
12	C-PU-2861	Motor Pulley
13	SUDL-65	Key 3/16" x 3/16" x 1 1/4"
14	CAC-4205	Cord Assembly
15	Z-MO-3022-1	Motor
16	CAC-1331	Pressure Release Tube
17	SSF-928	Cap Screw 5/16"-18-1" (4 used)
19	Z-D20306	Pressure Switch
20	SS-3222-CD	Pipe Plug
21	CAC-95	Manifold
22	97503734	Safety Valve
23	Z-D20644	Gauge
24	39124607	Screw (2 used)
26	CAC-1003	Isolator Washer (4 used)
27	Z-D20308	Air Tank
29	SSF-8150	Hex Nut
34	SS-2707	Drain Valve
36	SSW-7367	Strain Relief
37	SS-2110	Nipple
38	CAC-437-2	Check Valve
39	CAC-357-1	Outlet Tube
40	SSF-3152	Cap Screw 5/16"-18 x 3/4" (4 used)
42	Z-D22629	Compressor Pump Assembly



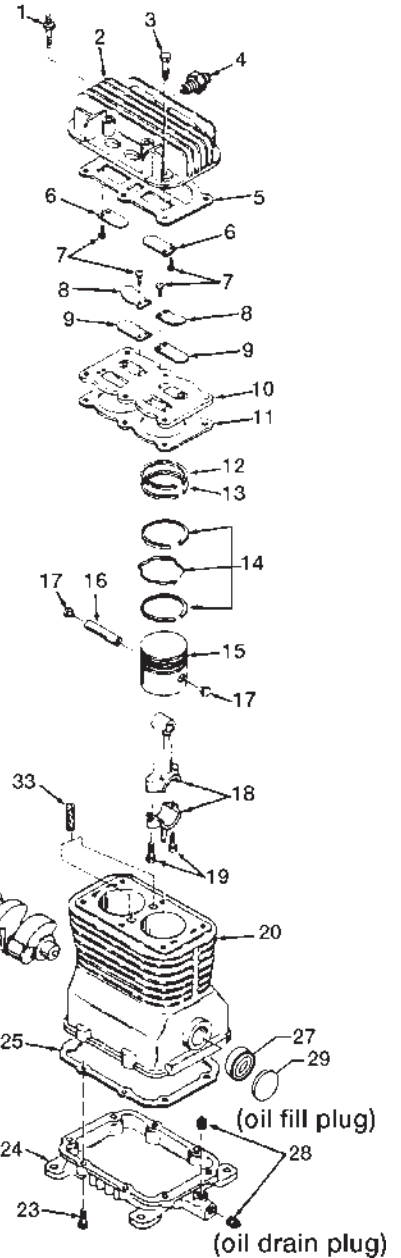
CPLC7060V

KEY NO.	PART NUMBER	DESCRIPTION
1	SSF-6627	Stud 3/8"-16 both ends (1 used)
2	Z-CAC-4213	Head Assembly (includes valves and screws)
3	SSF-955	Screw, 3/8"-16 x 1 1/2" (5 used)
4	SSP-9401	Connector Body
✓ 5	Z-CAC-291-1	Head Gasket
• 6	---	Intake Flapper Valve - square corners (2 used on head)
• 7	---	Screw #5-40 x 1/4" (8 used)
8	CAC-294	Restrictor Plate (2 used)
• 9	---	Exhaust Flapper Valve - beveled corners (2 used on valve plate)
10	CAC-4212-1	Valve Plate Assembly (includes valves, restrictors and screws)
✓ 11	Z-CAC-54-2	Valve plate gasket
✗ 12	---	Compression Ring (2 used)
✗ 13	---	Compression Ring (2 used)
✗ 14	---	Oil Rings and Expanders
15	CAC-55-1	Piston (2 used)
16	265-19	Piston pin (2 used)
17	CAC-207	Piston Pin Plug (4 used)
18	265-410	Connecting Rod Assembly (2 used) Includes (2) SSF-927 screws (Key #75)
19	SSF-927	Screw, 1/4"-20 x 1 1/8" (4 used)
20	Z-AC-0205	Crankcase and Cylinder
21	SSN-1018	Wavy Washer
22	AC-0169	Oil Seal
23	SSF-925	Screw, 1/4"-20 x 7/8" (8 used)
24	DAC-276	Base
✓ 25	265-16-1	Base Gasket
26	Z-D22270	Crankshaft
27	SST-104	Ball Bearing (2 used)
28	SSP-486	Pipe Plug (2 used)
29	SSP-505	Oil Plug
30	265-2	Flywheel
31	SSN-1014-ZN	Belleville Washer
32	SSF-3039-ZN	Cap Screw
33	265-6	Vent Filter (2 used)

NOT SHOWN

265-17 Filter

- ✗ Available as part of Ring Kit KK-4313.
- ✓ Available as part of Gasket Kit K-0159.
- Available in Valve Kit KK-4275.



Key No.	Torque
1	25 to 30 Ft. Lbs.
3	25 to 30 Ft. Lbs.
7	13 to 17 In. Lbs.
19	7 to 10 Ft. Lbs.
23	9 to 12 Ft. Lbs.
32	15 to 20 Ft. Lbs.

Recommended Oils - One Stage Compressor Units

Use a compressor oil such as SAE 20-20W SF motor oil. (Crankcase oil capacity is 16 fluid ounces.) Under extreme winter conditions use 10 weight oil. Multiviscosity oil, 10W30, will leave carbon deposits on critical components, reducing performance and compressor life.