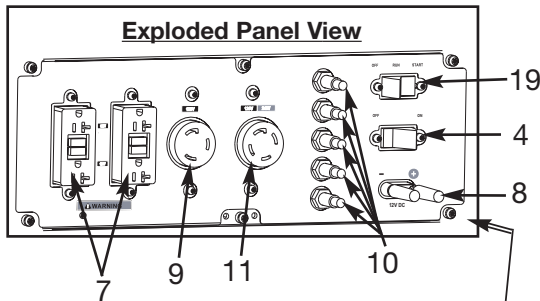


PORTER-CABLE GENERATOR

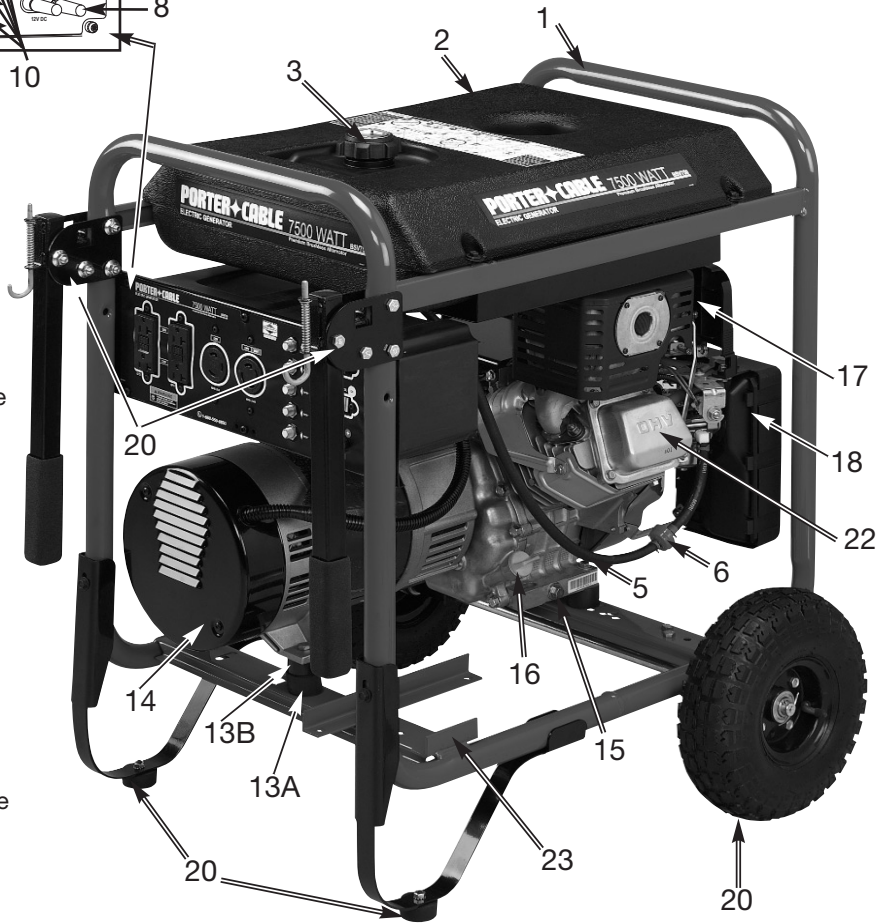
BSV750-W

WARNING: Electrical repairs should only be attempted by trained repairmen. Contact the nearest Porter-Cable Service Center or other competent repair center.



Parts Identification

1. **Frame assembly**
2. **Fuel Tank** - Seven (7) gallon capacity
3. **Fuel Cap/W Gauge**
4. **Idle Control Switch**- When in the ON position allows the engine to run at a lower speed when there is no load on the generator. This will lower the engine noise, save on fuel consumption, and engine life. When in the OFF position engine will run 3600 RPM's continuous with or without a load.
5. **Fuel Hose**
6. **Fuel Filter**
7. **Receptacle**- 120V GFCI Duplex
8. **Outlet 12V/10A DC**- Can be used to charge 12V batteries.
9. **Receptacle**- 120V 3-Prong Twistlock
10. **Circuit Breakers**
11. **Receptacle**- 120/240V 4-Prong Twistlock
12. **Grounding Lug**- (not shown) This is the attachment point for a ground wire to an external earth ground.
- 13A. **Vibration Isolator**
- 13B. **Isolator Spacers**
14. **Generator Housing**
15. **Oil Drain Plug**
16. **Oil Fill/Dipstick**
17. **Exhaust Muffler**
18. **Air Filter**
19. **"Off"/"Run"/"Start" Switch**-Will start engine when placed in the START position. Will stop engine when placed in the OFF position.
20. **Wheel/Handle Kit**- Included with this generator to make portability easier.
21. **Choke**- (not shown)
22. **13 HP Briggs & Stratton**- Included with this generator is a copy of the Engine Manufacturer's Operator's Manual. See this manual for more detail on the engine.
23. **Battery Frame**



Maintenance and Accessory Parts

Part No.	Qty.	Description
GS-0459	1	Fuel Filter
GS-0231	1	Air Filter
GS-0227	2	Fuel Line Clamps
Z-G5-0225	1	Fuel Line
GS-0033	4	Isolator 1.50D x 1.0
GS-0492	2	Isolator Spacer
Z-GS-0795	1	Gas Tank
91895680	4	Gas Tank Screws (1/4 - 20 x .75)
GS-0863	1	Gas Cap W/Gauge
FHWK100	1	Wheel/Handle Kit
RC12YC	1	Champion Spark Plug - May be purchased locally