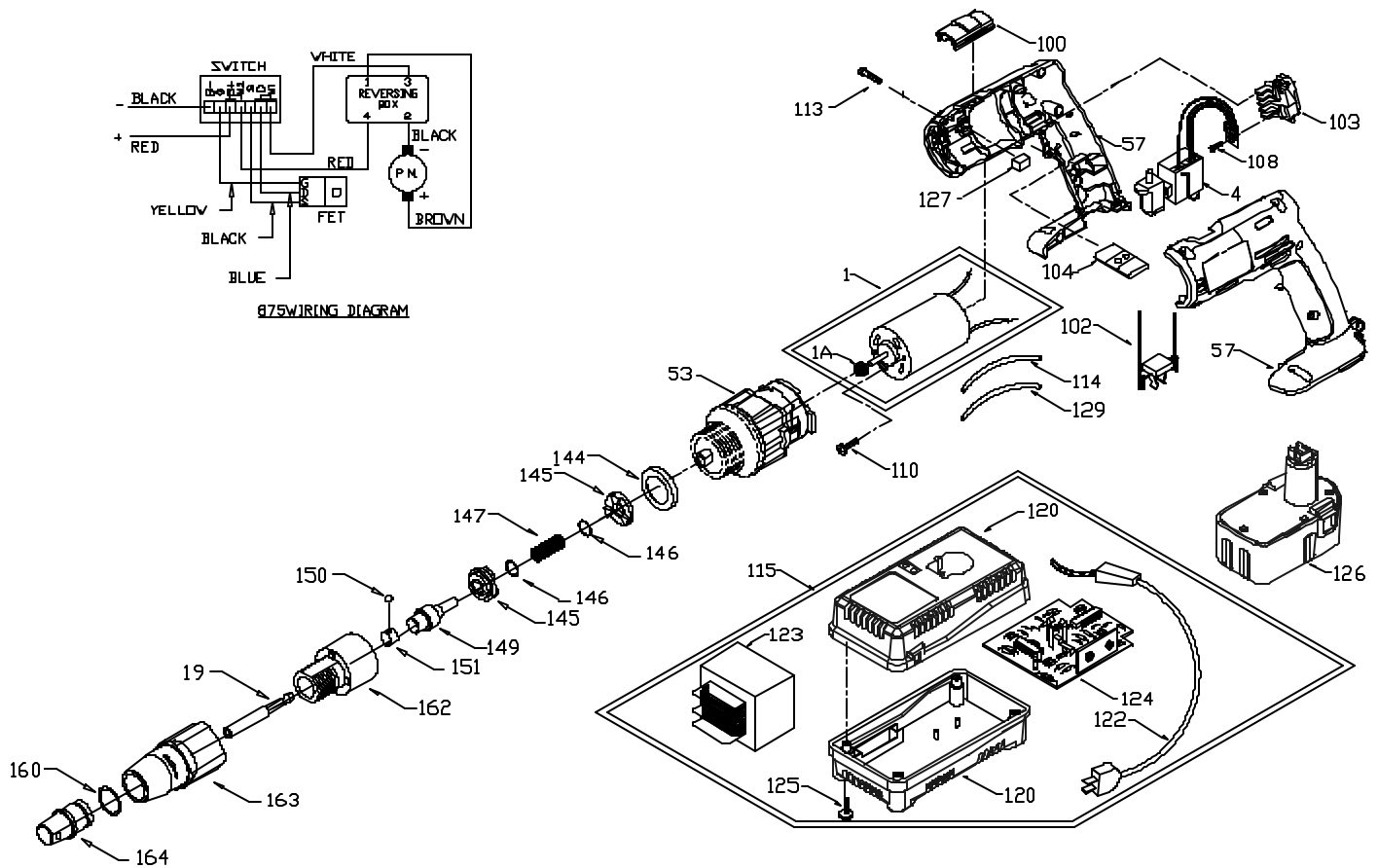
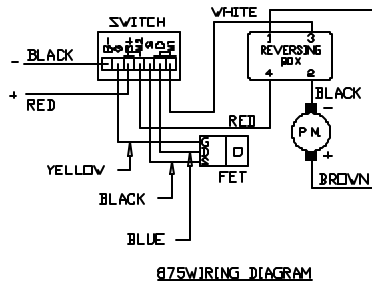


PORTER-CABLE

DRYWALL DRIVER

WARNING: Electrical repairs should only be attempted by trained repairmen. Contact the nearest Porter-Cable Service Center or other competent repair center

875



Ref.

No.	Part No.	Description
1	891851	Motor, Incl.: Ref. 1A
1A	886867	Pinion
4	n 892093	Switch
19	44815	Bit Holder
53	886865	Gear Housing Assy.
57	886848	Handle Set
100	884360	Selector
102	884324	Plate-Contact
103	886842	Heatsink
104	884403	Selector-Direction
108	858008	Screw-Pan Hd
110	889199	Screw-Cheese Head
113	888993	Screw-Pan Hd
114	886997	Insulator-Tube (2 5/8")
115	8621	Charger 12-14.4V 120V
	23-8621-56	Charger 12-14.4V 230V
120	886500	Housing Set 120V
	887792	Housing Set 230V
122	885051	Cordset 120V
	887221	Cordset 230V
123	886341	Transformer Pkg 120V
	887793	Transformer Pkg 230V
124	886342	Circuit Board Pkg.
125	694015	Screw

Ref.

No.	Part No.	Description
126	8720	Battery Pack, 14.4V
127	n 888609	Foam Pad
129	886630	Insulator-Tube (3 3/4")
144	878719	Clamp Ring
145	697056	Clutch Dog Set, T1, Incl.: 2 Clutch Dogs & 2 Ref. 146
	n 890486	Clutch Dog Set, T2, Incl.: 2 Clutch Dogs & 2 Ref. 146
146	853644	Retaining Ring
147	853731	Spring, T1
	n 890471	Spring, T2
149	878495	Work Spindle
150	844318	Ball
151	854346	Spring Ring
160	878486	O-Ring
162	n 878964	Clutch Housing Incl.: 878488 890472
163	879747	Depth Finder Assy., Incl.: Ref. 160, 164
164	882793	Nose Piece
*	54583	Bit
*		Not Shown